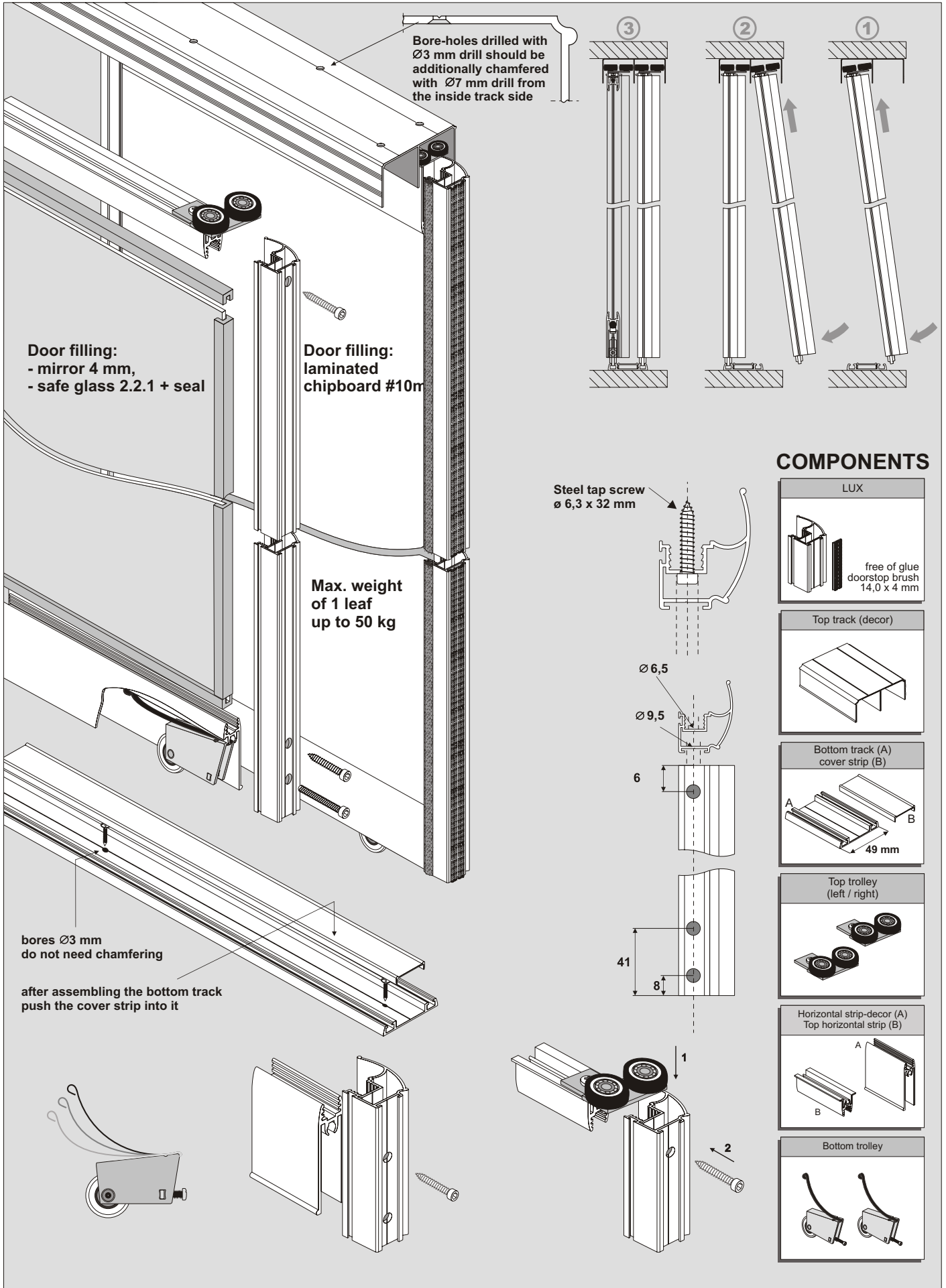




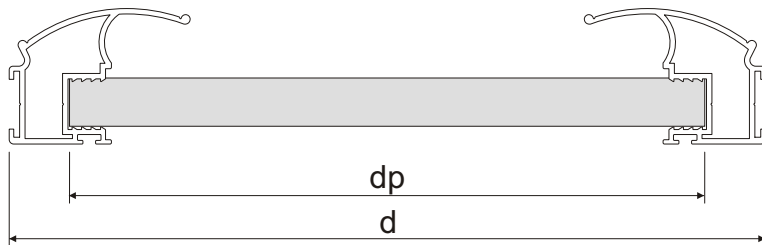
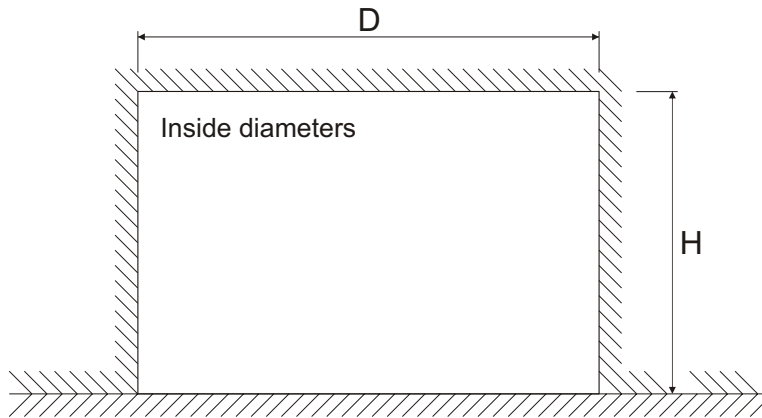
ASSEMBLY INSTRUCTIONS





While ordering remember about steel tap screws (4pcs./1 leaf) and seals (for doors with glass/mirror).

Sliding door system - LUX



door leaf filling - laminated chipboard # 10 mm.

door leaf height	- h	$h = H - 40 \text{ mm}$
chipboard height	- hp	$hp = h - 61 \text{ mm}$
door leaf width	- d	$d = (D + Z) : N$
chipboard width	- dp	$dp = d - 25 \text{ mm}$
horizontal strip lenght	- P	$P = G = d - 42 \text{ mm}$
top horizontal strip lenght	- G	

fold width depending od number of leaves.

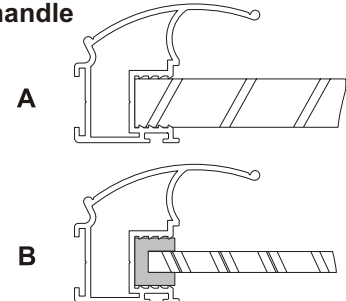
number of leaves	- N	2	3	4
gap for brushes	- Z	40 mm	80 mm	120 mm

door leaf filling - safe glass or mirror # 4 mm.

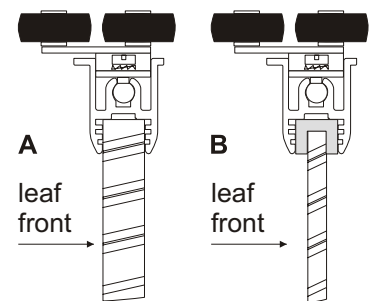
mirror height	hl	$hl = hp - 4 \text{ mm}$
mirror width	dl	$dl = dp - 4 \text{ mm}$

Way of assembling:
 - #10mm chipboard (pic. A)
 - safe glass or mirror #4 mm (pic. B)

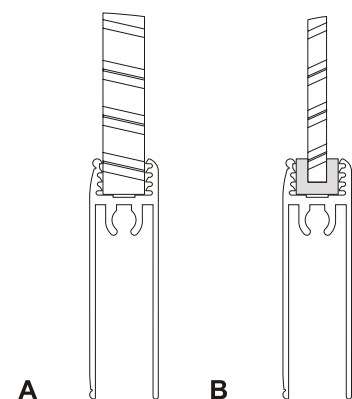
- in handle



- in top horizontal strip



- in horizontal strip



ASTIN
STANDARD

www.astin.eu



www.astin.eu