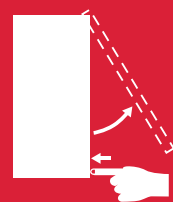


KLOCK



PUSH CATCHES  
AND MAGNETIC  
CATCHES



# SYMBOLS AND FINISHES LEGEND

## SYMBOLS



= SHELF SAFELY LOCKED DURING TRANSPORTATION AND AT HOME.



= ANTI-TURNOVER LOCKING SYSTEM



= NORMS / PATENTS



= PHILLIPS / POZIDRIV



= NEWTON



= PART.NO



= HEXAGONAL SOCKET



= FRICTION



= PCS. PER PACKAGE



= BLADE SLOT



= AUTOMATIC



= COMBI SLOT



= DROP DOWN



= CAPACITY LOADING



= COUNTERSUNK HEAD



= WOOD / GLASS THICKNESS



= PAN HEAD



= STANDARD HINGE



= HOLE DIAMETER



= FLANGE HEAD



= KIMANA HINGE



= DIAMETER



= FLAT HEAD



= FLAP HINGE



= LENGTH



= TRILOBULAR SCREW



= WITH SPRING



= HEIGHT



= SELF-TAPPING SCREW



= WITHOUT SPRING



= RIGHT VERSION



= EURO THREAD



= REVERSED SPRING



= LEFT VERSION



= METRIC THREAD



= SETTING CODE



= PRE-INSERTED SCREW



= FOR ROUND TUBE



= PCS. PER PAD



= PRE-INSERTED SCREW AND SPREADING BUSH



= FOR OVAL TUBE



= CUT ON REQUEST



= WITH BUFFER



= SELF ADHESIVE



= WITH MAGNET



= WITH FLANGE

NOTE: Printing errors and omissions may exist despite our best efforts to ensure accuracy. We reserve the right to alter specifications without notice.

## MATERIALS

<b>ZA</b> = Zinc Alloy	<b>ST</b> = Steel	<b>HSS</b> = High Speed Steel	<b>BR</b> = Brass	<b>ABS</b> = Acrylonitrile Butadiene Styrene
<b>ZAnk</b> = Nickel-plated Zinc Alloy	<b>STzk</b> = Zinc-plated Steel	<b>AL</b> = Aluminium	<b>WD</b> = Wood	<b>EVA</b> = Ethylene Vinyl Acetate

**EP** = **ENGINEERING PLASTIC**

+ **EP** = other engineering plastic available on request

**SR** = **SOFT RUBBER**

+ **SR** = other soft rubber available on request

<b>EPn</b> = Natural Engineering Plastic	<b>EPc</b> = Clear Engineering Plastic	<b>SRn</b> = Natural Soft Rubber
<b>EPw</b> = White Engineering Plastic	<b>EPg</b> = Grey Engineering Plastic	<b>SRw</b> = White Soft Rubber
<b>EPwg</b> = Water Green Engineering Plastic		<b>SRb</b> = Black Soft Rubber



## FINISHES



+ **OTHER FINISHES AVAILABLE ON REQUEST**

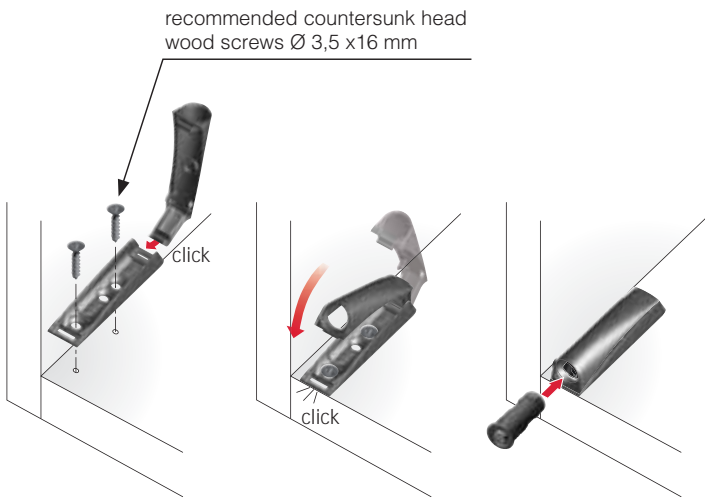
AA	Natural	JB	Bright Aluminium	QB	Walnut
AB	White	JC	Aluminium - Chrome	RO	Red
AC	Opal White	JD	Matt Aluminium	UZ	T -Met
AE	White 9010	JE	Satin-finished Aluminium	WA	Bronzed
AK	Champagne	JF	Aluminium - Brass	WI	Burnished
AL	Ivory	JG	Aluminium 5	XD	Satin-finished Steel
EA	Black	JL	Aluminium PE 11	YA	Nickel-plated
EB	Glossy Black	JM	Aluminium RAL 9006	YB	Bright Nickel-plated
EC	Matt Black	KA	Chrome	YC	Matt Nickel-plated
EE	Anthracite	KB	Bright Chrome	YD	Satin-finished Nickel-plated
FU	Gunmetal	KC	Matt Chrome	ZA	Zinc alloy
GR	Raw	MA	Brown	ZN	Zinc-plated
HA	Brass-Plated	MB	Light Brown 1	ZQ	Bright Gold
HH	Tropicalized	NN	Metallic Beige	ZY	Titanium
HL	Raw Brass	NO	Beige	ZZ	Clear
IA	Grey	OA	Oak	00	Insignificant finish
IB	Metallic Grey	OZ	Ash		
IF	Middle Grey	PA	Light Ash		
IJ	Light Grey	PZ	Beech		
IL	Grey 20	QA	Maple		

## K LOCK

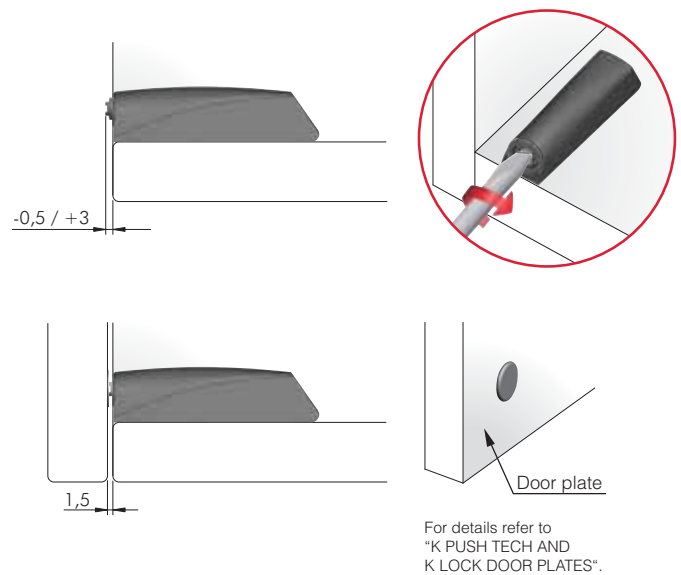
**K LOCK** is the new magnetic system to safely keep the door closed.  
Suitable for unsprung or Flap /Piano hinges.  
A 3,5mm adjustment can be carried out by using a 1,2x6,5mm blade screwdriver.

Engineering plastic  
Steel

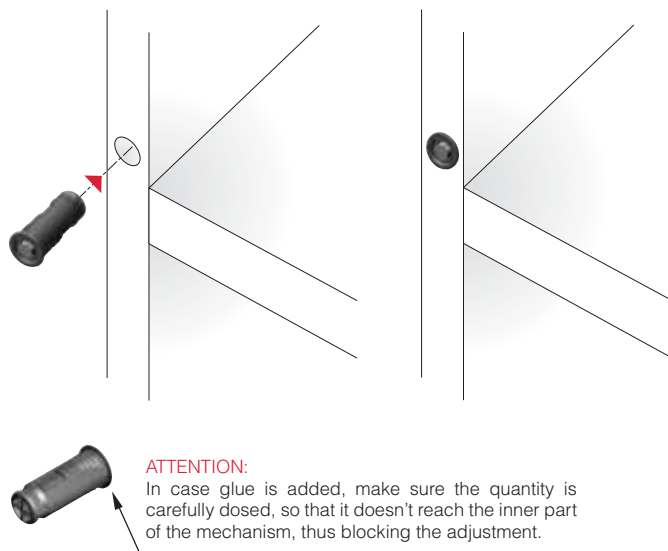
### INSTALLATION THROUGH ADAPTER HOUSING



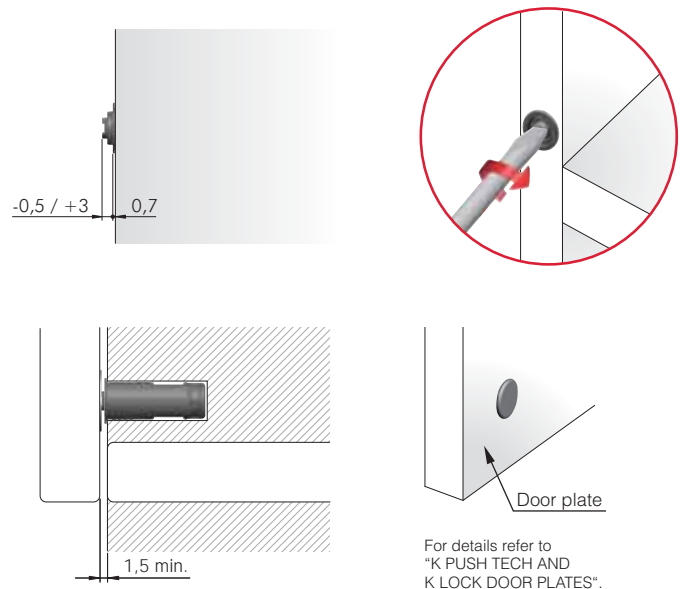
### ADJUSTMENT

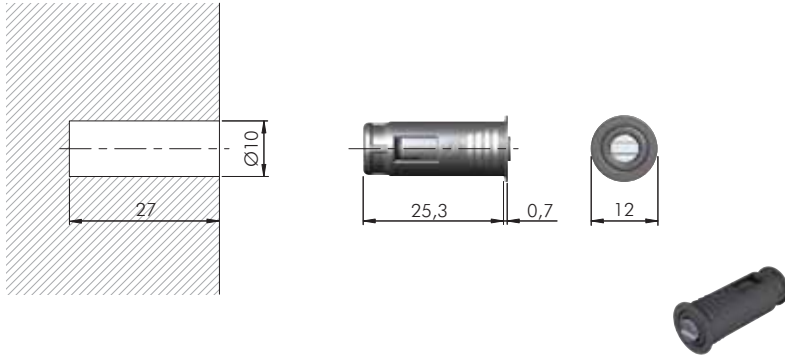






### INSTALLATION TO BE EMBEDDED INSIDE THE PANEL





### ADJUSTMENT





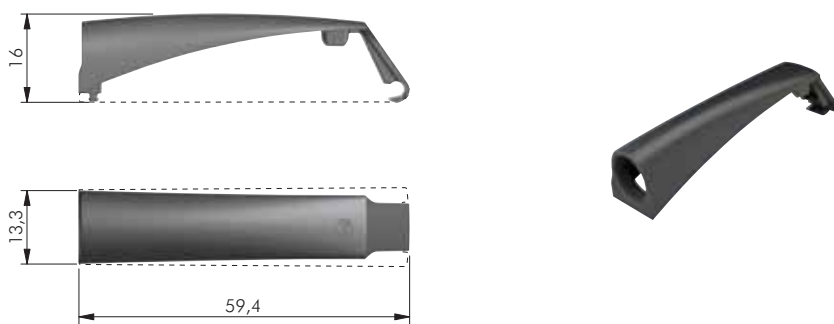

 ST
  EP
  = 100 pcs.








55007010EE

55007010IJ

55007010AB



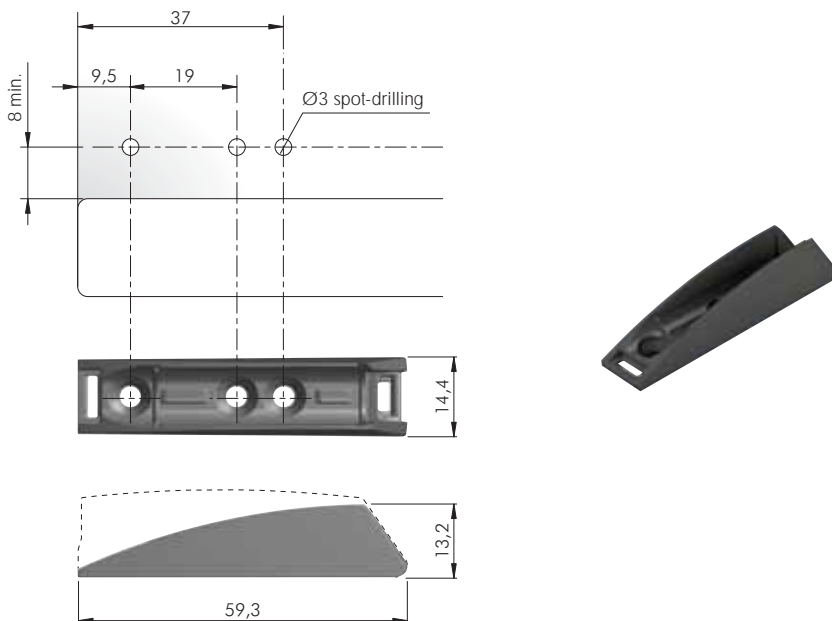
 EP
  = 100 pcs.








57015020EE



57015020IJ

57015020AB




 = Ø 3 mm
  = 100 pcs.

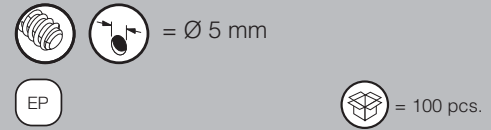
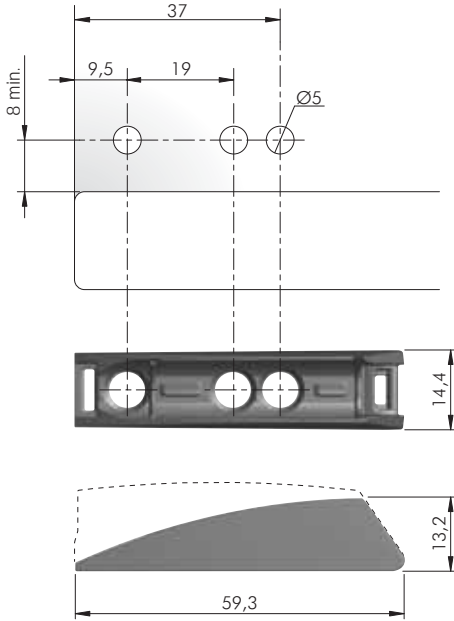
 EP

57015040EE

57015040IJ

57015040AB

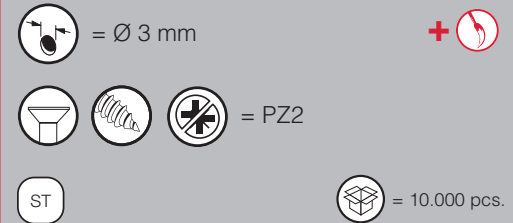
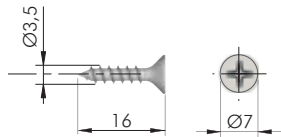


57015060EE

57015060IJ

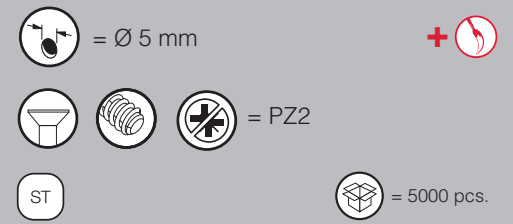
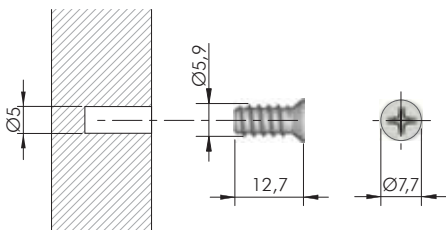
57015060AB

## FIXING ACCESSORY FOR K LOCK ADAPTER PLATES PART NO. 57006040



60101390ZN

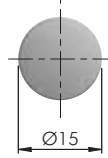
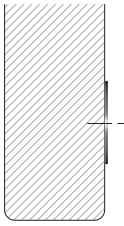
## FIXING ACCESSORY FOR K LOCK ADAPTER PLATES PART NO. 57006060



60501050YA



**K PUSH TECH AND K LOCK DOOR PLATES**



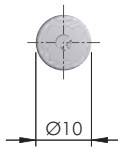
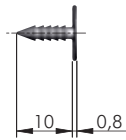
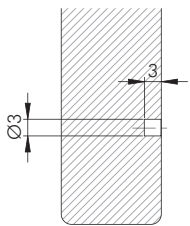
ST



= 100 pcs.



55006160XD



= Ø 3 mm

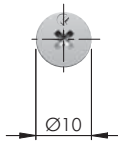
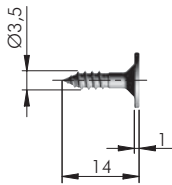
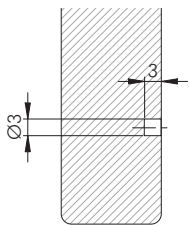
ST



= 100 pcs.



55006030YA



= Ø 3 mm



= PZ2

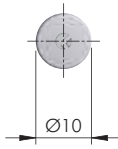
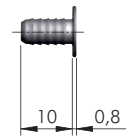
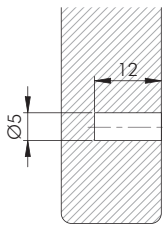
ST



= 100 pcs.



55006100YA



= Ø 5 mm

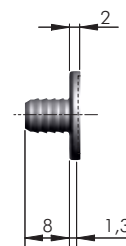
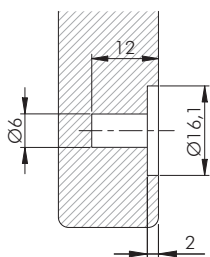
ST



= 100 pcs.



55006040YA



= Ø 6 mm

ST

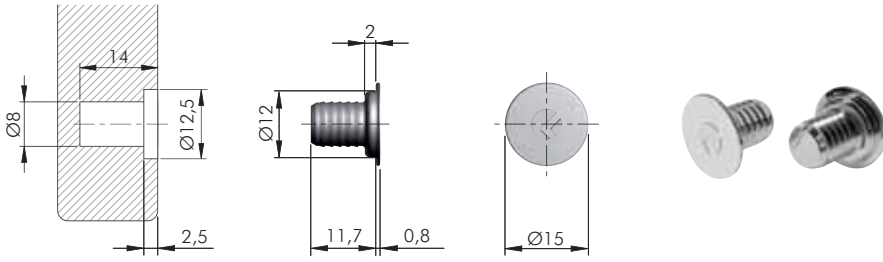


= 100 pcs.



55006070YA





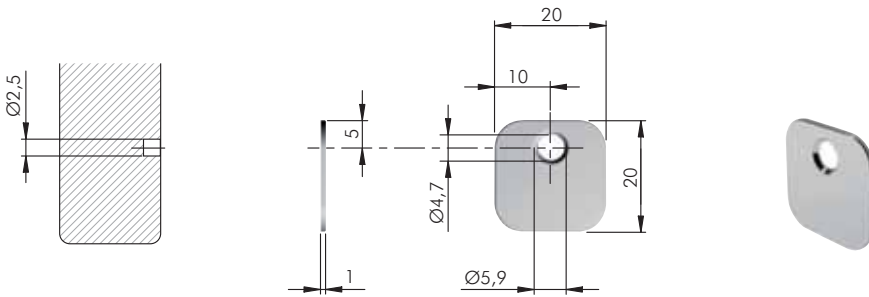
= Ø 8 mm

ST

= 100 pcs.



55006050YA



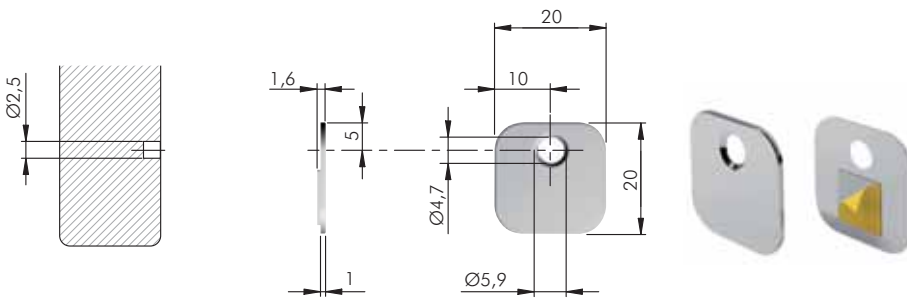
= Ø 2,5 mm

ST

= 100 pcs.



55006120YA



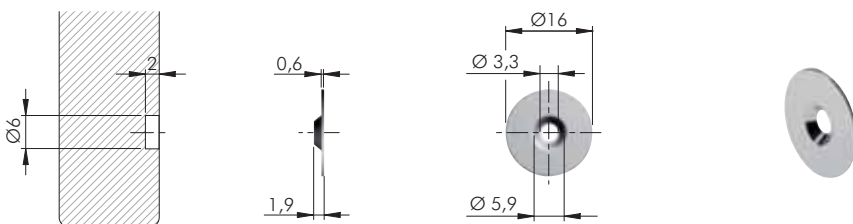
= Ø 2,5 mm

ST

= 100 pcs.



55006170YA



= Ø 6 mm

ST

= 100 pcs.

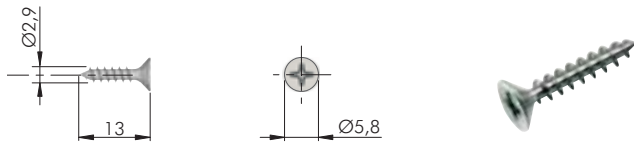


55006130YA



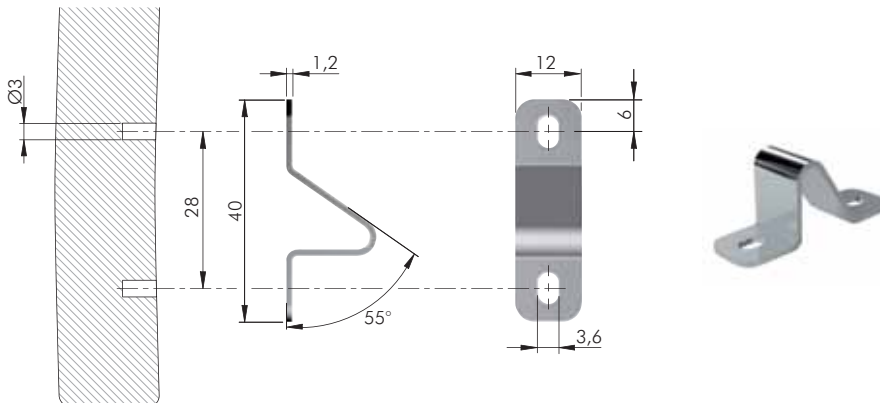
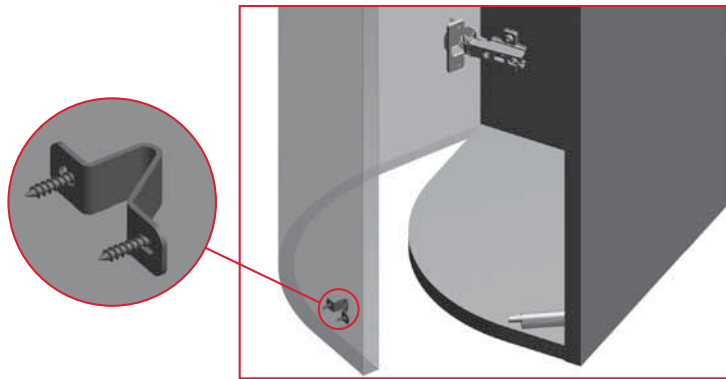


**ACCESSORY FOR PART.NO 55006130YA AND 55006120YA**



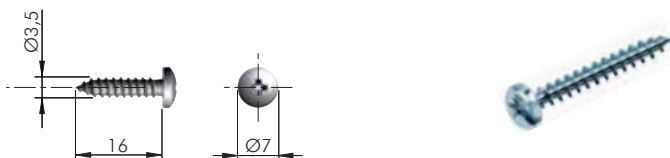
	= Ø 2,5 mm		
ST			= 100 pcs.
60201140YA			

**PLATE FOR K PUSH WITH ADAPTER HOUSING FOR CURVED DOORS**

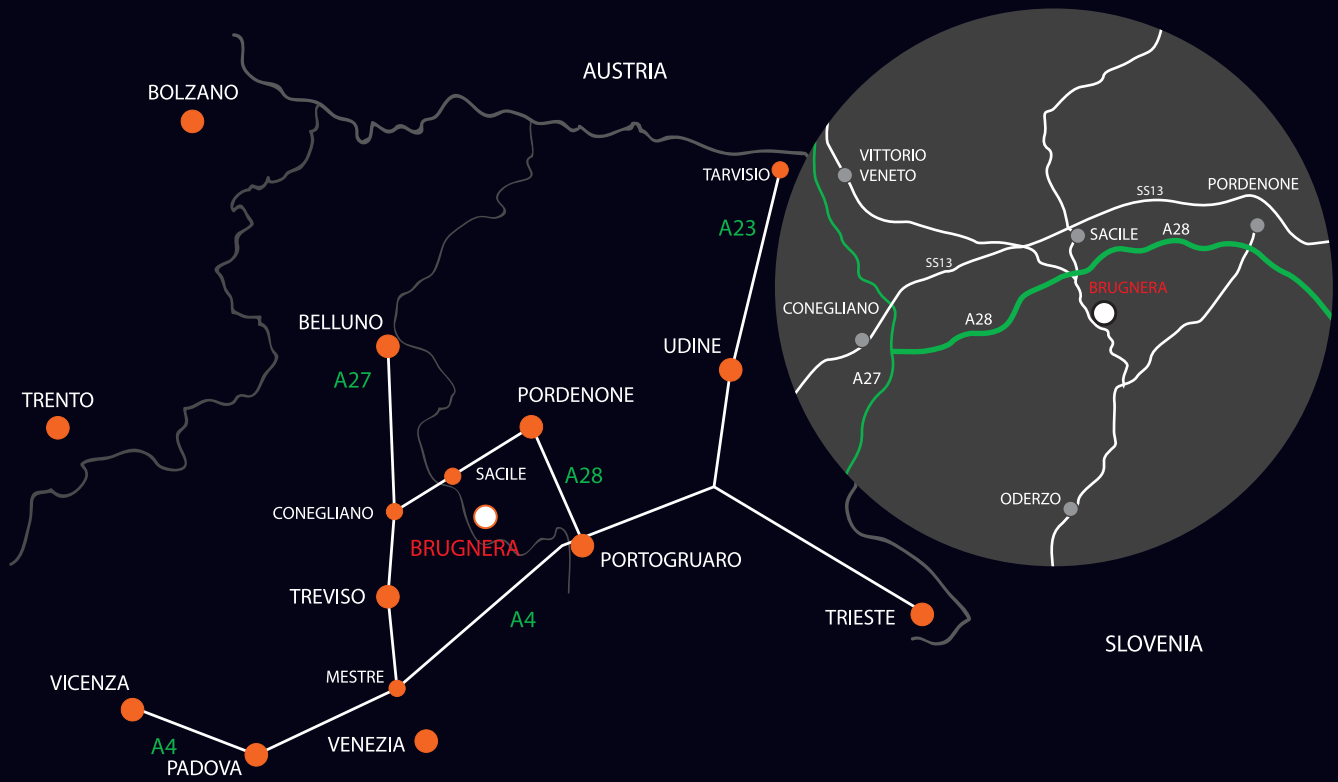


	= Ø 3 mm		= 100 pcs.
ST			
55006110YA			

**ACCESSORY FOR PART.NO 55006110YA**



	= Ø 3 mm		
ST			= 100 pcs.
60103140YA			



[www.italianaferramenta.com](http://www.italianaferramenta.com)