

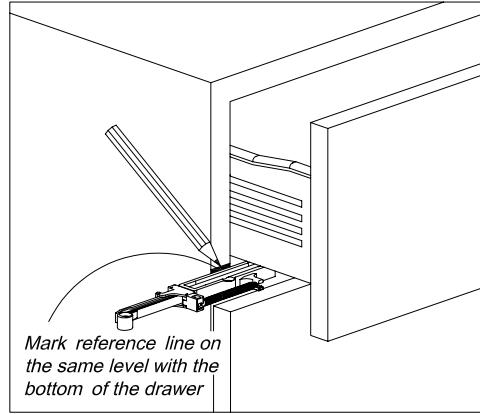


# Silent Close #5833A

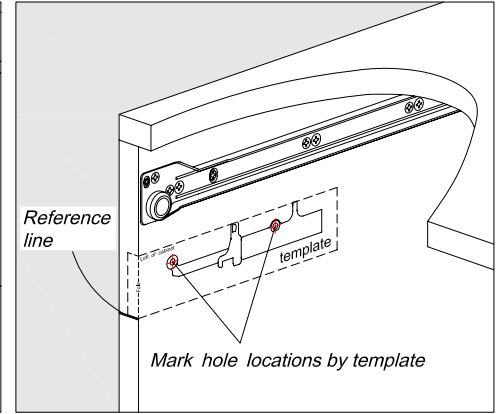
## APPLICATIONS:

- Metal Box of wooden furniture
- Width of gap 15.5mm per side.

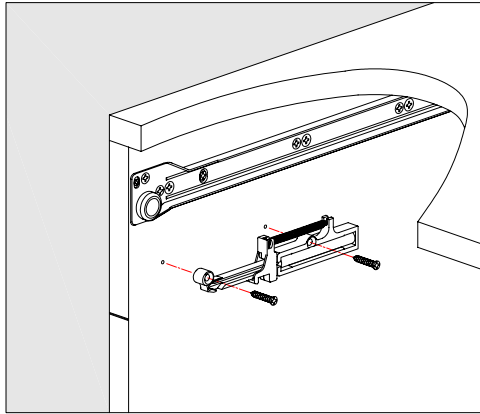
### Step 1: Mark reference line



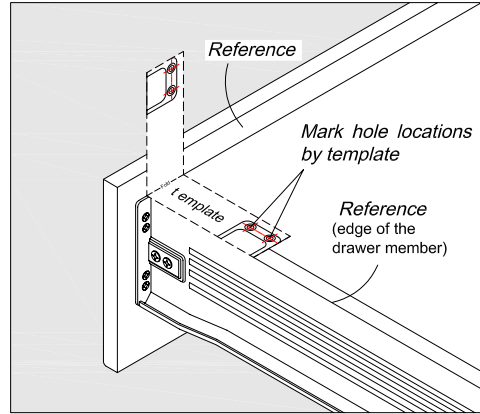
### Step 2: Mark hole locations



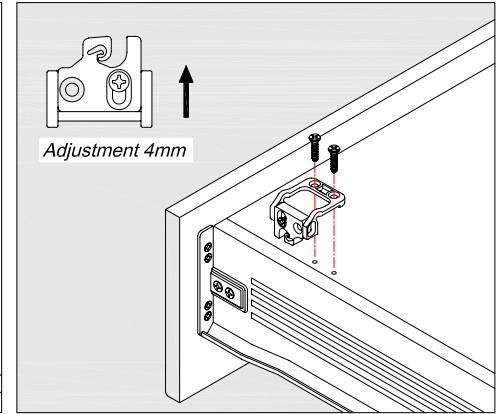
### Step 3: Attach the "Body" to cabinet



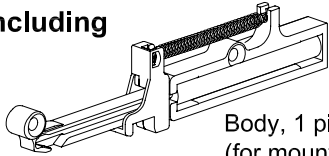
### Step 4: Mark hole locations



### Step 5: Attach the "Adapter" to drawer



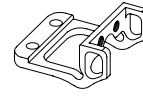
## Including



Body, 1 piece  
(for mounting to cabinet)



Follower, 1 piece  
(for mounting to adapter)



Adapter, 1 piece  
(for mounting to drawer)



M4x 10mmL , 1 piece



∅4x 18mmL , 4 pieces

