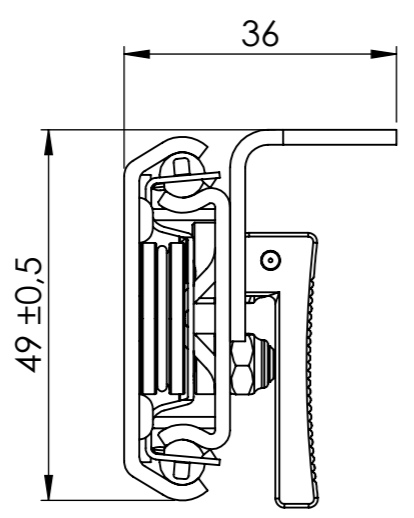
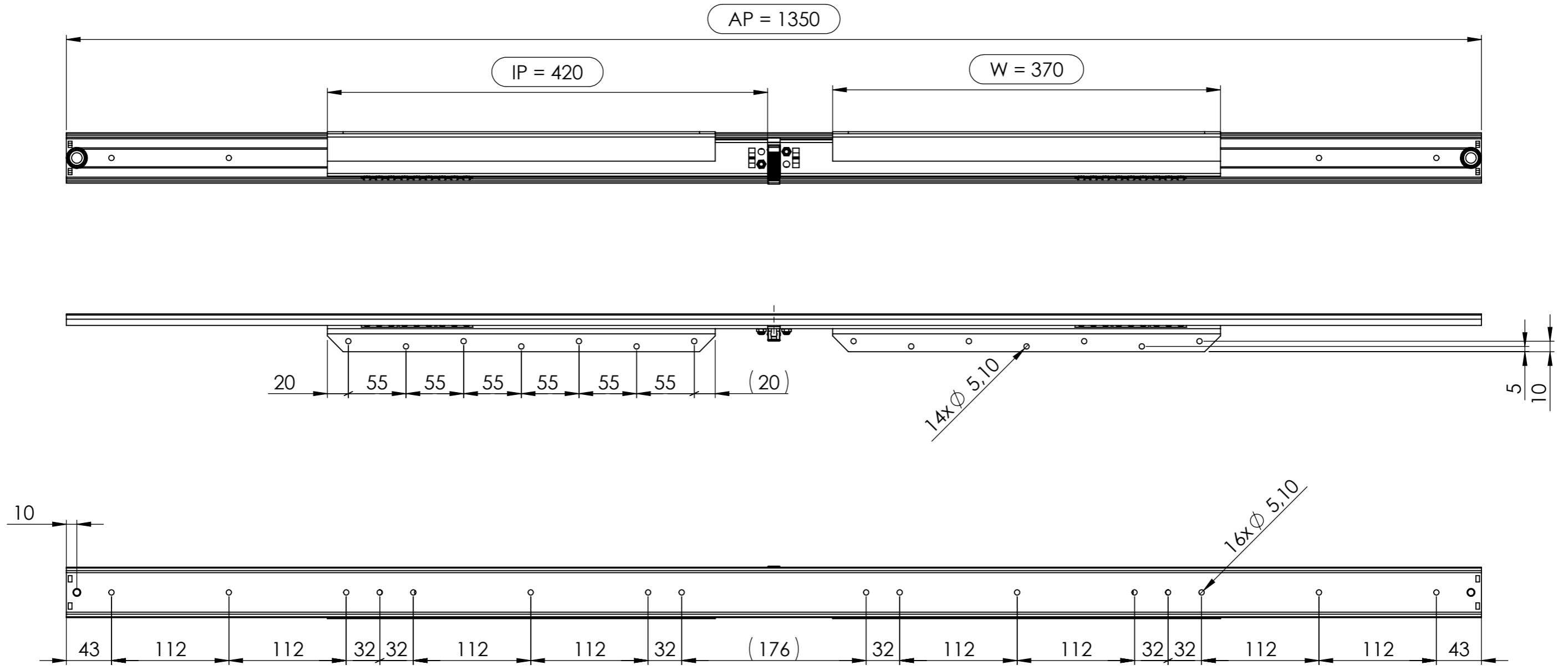
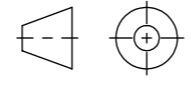



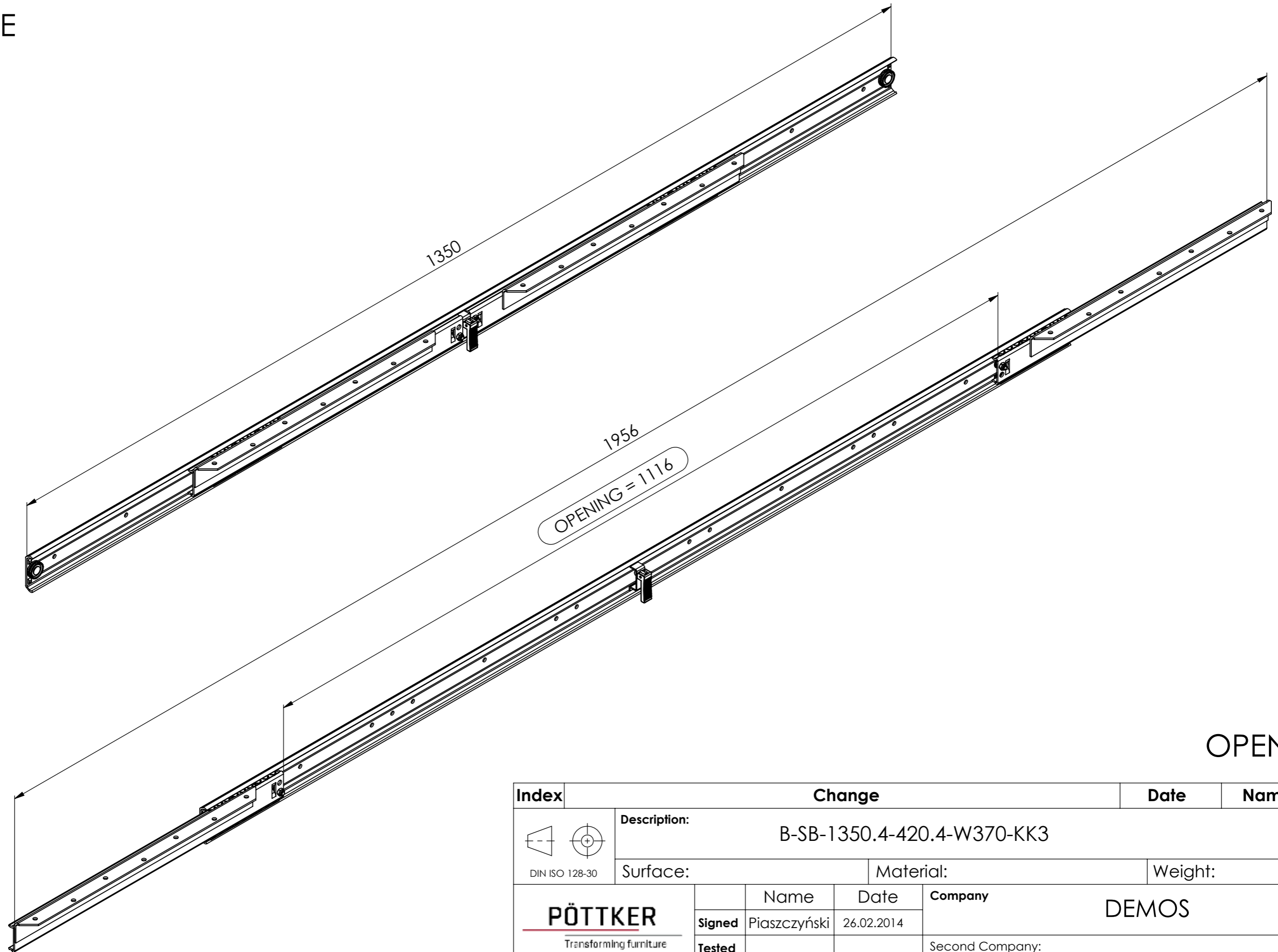
All property rights and rights to exploitation of copyright for this drawing data remain ours; they may not be made available to third parties without our consent.



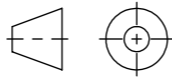

opening: ca. 1117mm

Index	Change			Date	Name
 DIN ISO 128-30	Description: B-SB-1350.4-420.4-W370-KK3				
	Surface:		Material:		Weight: kg
 Transforming furniture	Name	Date	Company		
	Signed	Piaszczyński	26.02.2014	DEMOS	
	Tested			Second Company:	
General tolerance: DIN ISO 2768 -1		Item No: 47135909		Scale 1:4	Page 1/3
					A3

CLOSE



OPEN

Index	Change			Date	Name
 DIN ISO 128-30	Description: B-SB-1350.4-420.4-W370-KK3				
	Surface:		Material:		Weight: kg
 Transforming furniture	Name	Date	Company		
	Signed	Piaszczyński	26.02.2014	DEMOS	
	Tested			Second Company:	
General tolerance: DIN ISO 2768 -1		Item No: 47135909		Scale 1:4	Page 2/3
					A3

All property rights and rights to exploitation of copyright for this drawing data remain ours; they may not be made available to third parties without our consent.