

Vetro 40

Accessories for glass doors without drillings and clamp height 40 mm
Accessori per porte in vetro senza forature e pinza alta 40 mm



Vetro 40

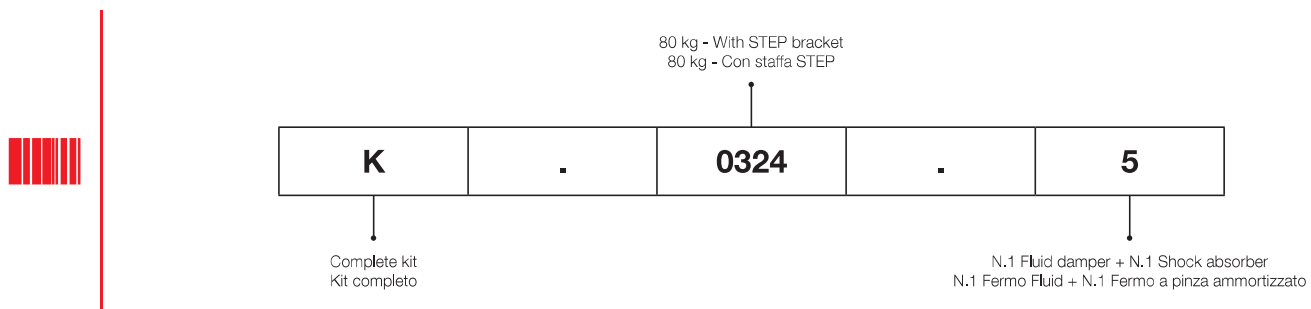
PATENTED

Accessories for glass doors without drillings and clamp height 40 mm

Accessori per porte in vetro senza forature e pinza alta 40 mm



EXAMPLE / ESEMPIO

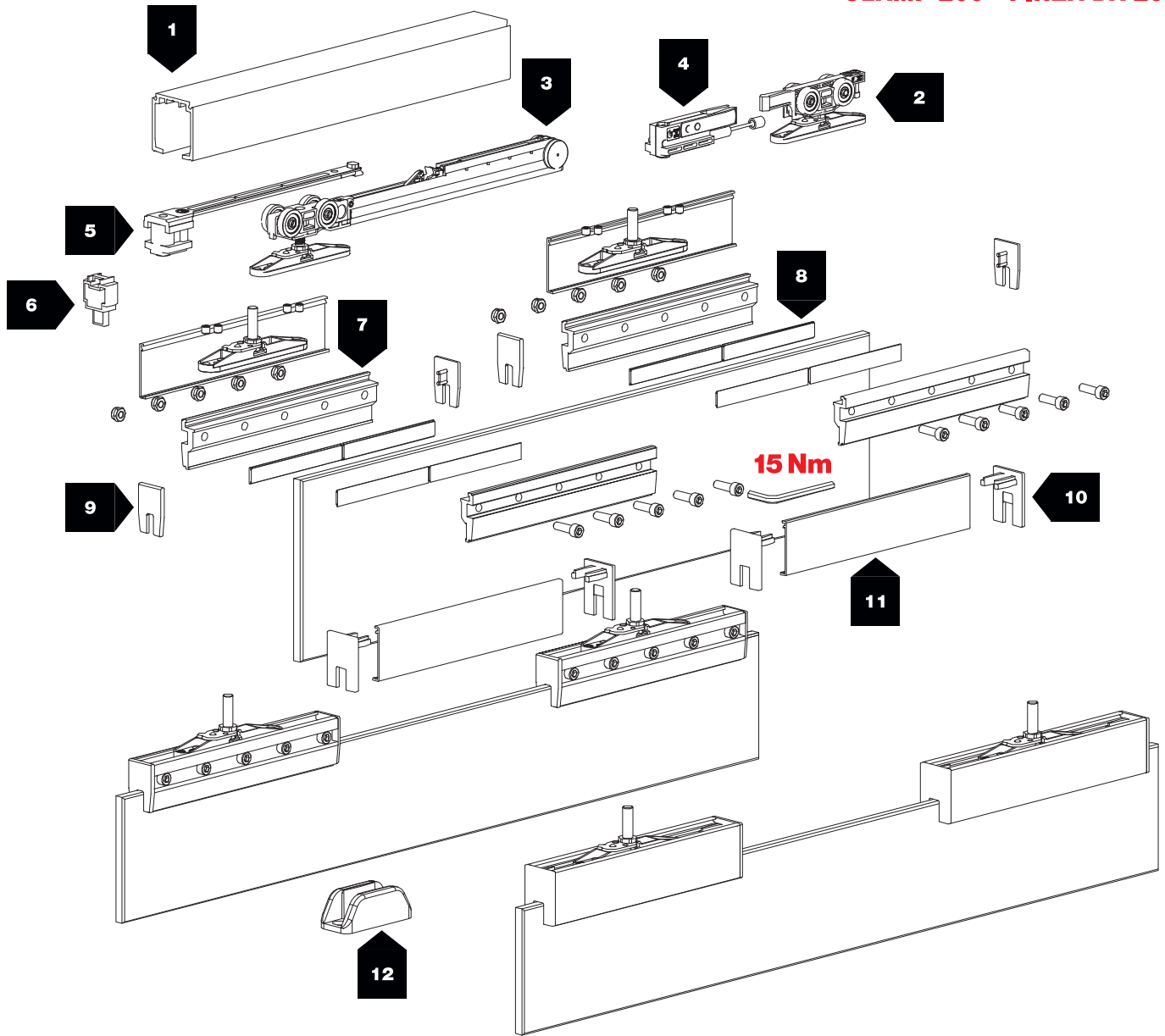


Tracks / Binari		ALUMINUM FINISHES CODES / CODICI FINITURE ALLUMINIO		
CODE / CODICE	FINISH COLOR / COLORE FINITURA			STANDARD
8 01 0.0		01 A	Anodized Silver / Argento	
8 02 0.0		02 AS	Brushed Anodized Silver / Argento Spazzolato	

Vetro 40

Sliding system for glass doors with clamp height 40 mm
 Scorrevoli per porte in vetro con pinza alta 40 mm

CLAMP 200 - PINZA DA 200

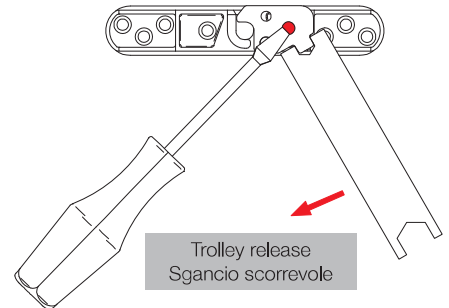


Position for trolley hooking
 Posizione per aggancio scorrevole



Position for trolley hooked
 Posizione con scorrevole agganciato

Security lockout
 Blocco di sicurezza



Trolley release
 Sgancio scorrevole



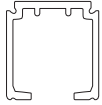
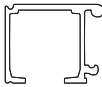
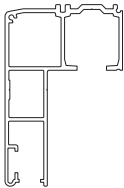

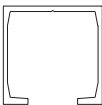
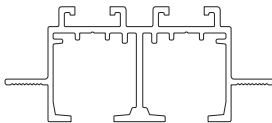

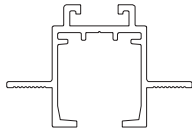
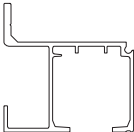
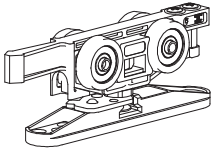
8-8,7 ÷ 12-12,7 mm



80 ÷ 120 kg

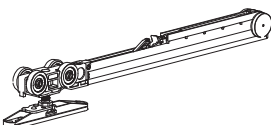
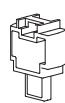
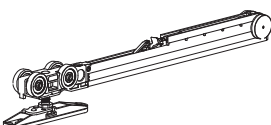
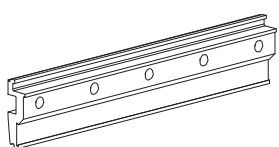
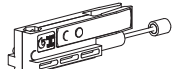

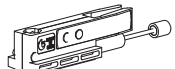
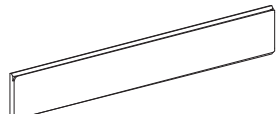
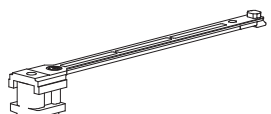



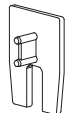
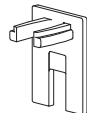
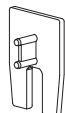
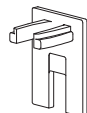
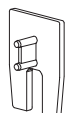

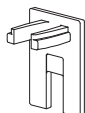

10 mm

N°	Barcode		KG		N°	Barcode		KG	
1	1280 8 01 0.01280		-		1	1700 8 01 0.01700		-	
	1750 8 02 0.01750		-			1720 8 01 0.01720		-	
	1080 8 01 0.01080		-			1261 8 01 0.01261		-	OPTIONAL
	1690 8 02 0.01690		-			1263 8 01 0.01263		-	OPTIONAL
	1359 8 01 0.01359		-			2	3378/V40		80÷120

Vetro 40

Sliding system for glass doors with clamp height 40 mm
 Scorrevoli per porte in vetro con pinza alta 40 mm

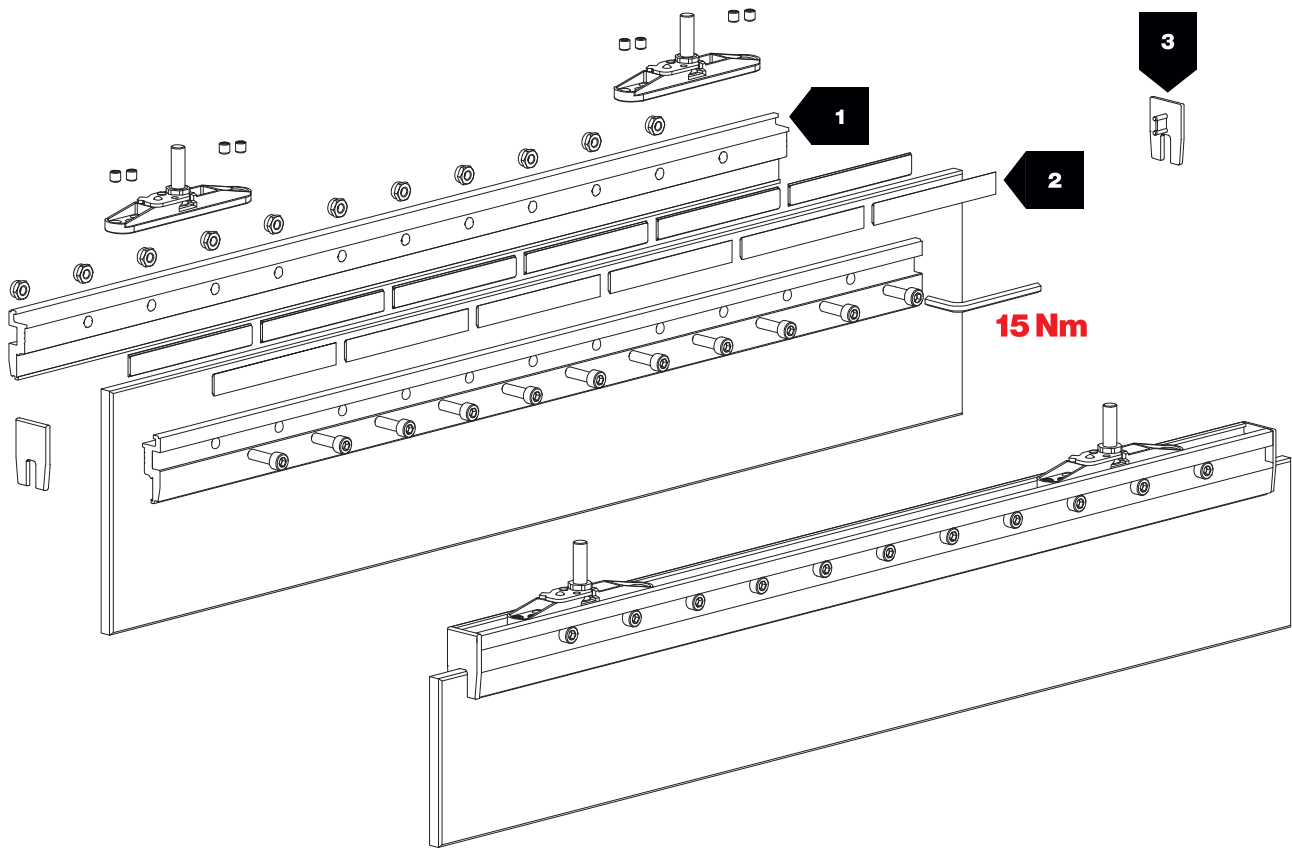
N°	Barcode	Image	KG	FLUID NEW	N°	Barcode	Image	KG	
3	3372/080/V40		80	FLUID NEW	6	3347		—	
	3372/120/V40		120	FLUID NEW	7	1712/020		—	
4	3355/080		80	FLUID NEW	8	1707		—	Glass thk. Vetri sp. 8-8,7 mm (5/16")
	3355/120		120	FLUID NEW		1704		—	Glass thk. Vetri sp. 10-10,7 mm (3/8")
5	3354		80÷120	FLUID NEW		1705		—	Glass thk. Vetri sp. 12-12,7 mm (1/2")

N°			KG		N°		KG		
9	1731		—	Glass thk. Vetri sp. 8-8,7 mm (5/16")	10	1701/10		—	Glass thk. Vetri sp. 10-10,7 mm (3/8")
	1733		—	Glass thk. Vetri sp. 10-10,7 mm (3/8")		1701/12		—	Glass thk. Vetri sp. 12-12,7 mm (1/2")
	1737		—	Glass thk. Vetri sp. 12-12,7 mm (1/2")		11	1703 8 02 0.01703		—
10	1701/8		—	Glass thk. Vetri sp. 8-8,7 mm (5/16")	12	1486		80	

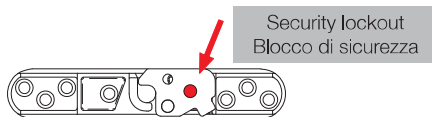
Vetro 40

Sliding system for glass doors with clamp height 40 mm
Scorrevoli per porte in vetro con pinza alta 40 mm

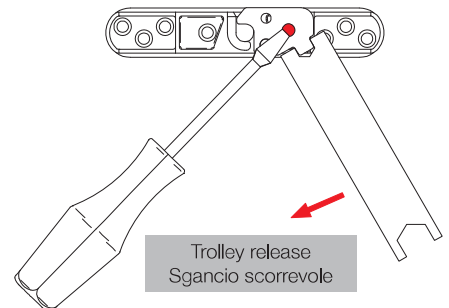
LONG CLAMPS - PINZA LUNGA



Position for trolley hooking
Posizione per aggancio scorrevole



Position for trolley hooked
Posizione con scorrevole agganciato



Trolley release
Sgancio scorrevole




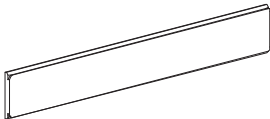

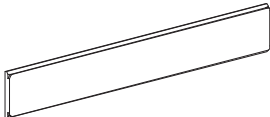
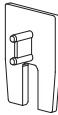
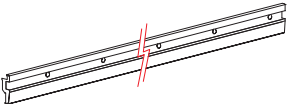
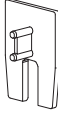
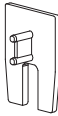
8-8,7 ÷ 12-12,7 mm



80 ÷ 120 kg



10 mm

N°			KG		N°			KG	
1	1712/A		—		2	1707		—	Glass thk. Vetri sp. 8-8,7 mm (5/16")
						1704		—	Glass thk. Vetri sp. 10-10,7 mm (3/8")
						1705		—	Glass thk. Vetri sp. 12-12,7 mm (1/2")
	1712/060				3	1731		—	Glass thk. Vetri sp. 8-8,7 mm (5/16")
	1712/070								
	1712/080								
	1712/090		—			1733		—	Glass thk. Vetri sp. 10-10,7 mm (3/8")
	1712/100								
1712/120				1737			—	Glass thk. Vetri sp. 12-12,7 mm (1/2")	
1712/150									

MEASUREMENTS DESCRIPTION / DESCRIZIONI MISURE

