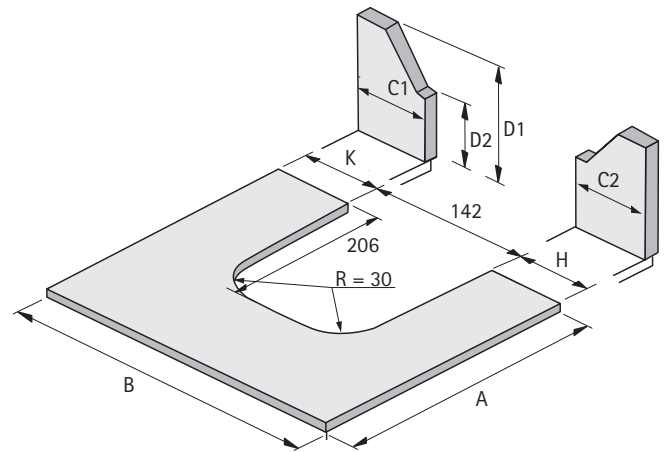
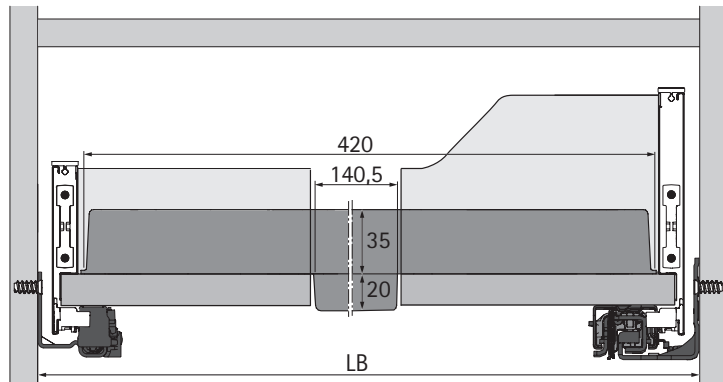
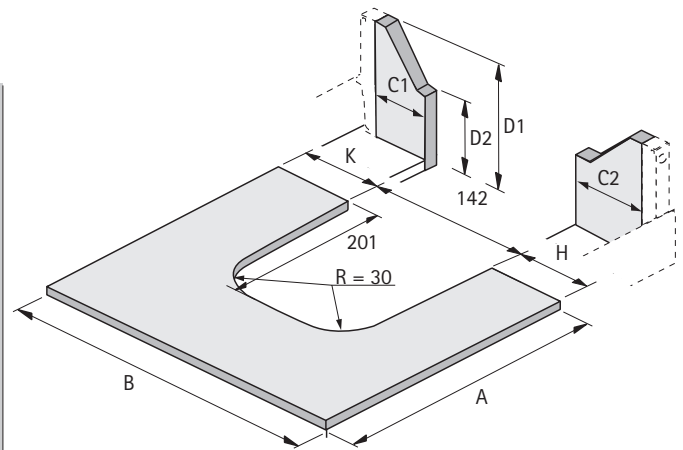
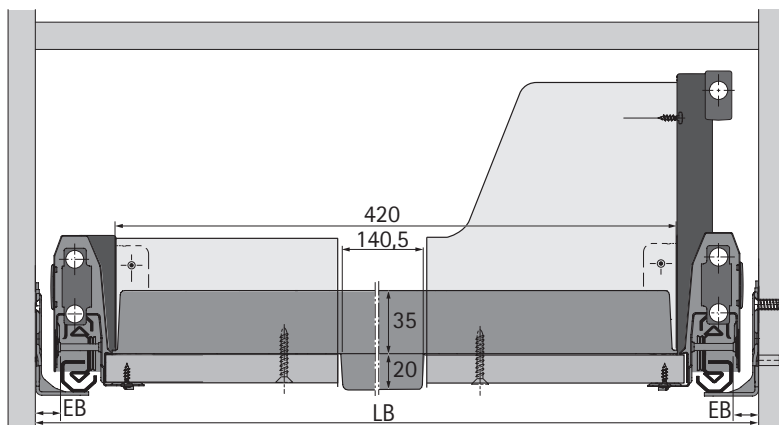


## i AvanTech YOU



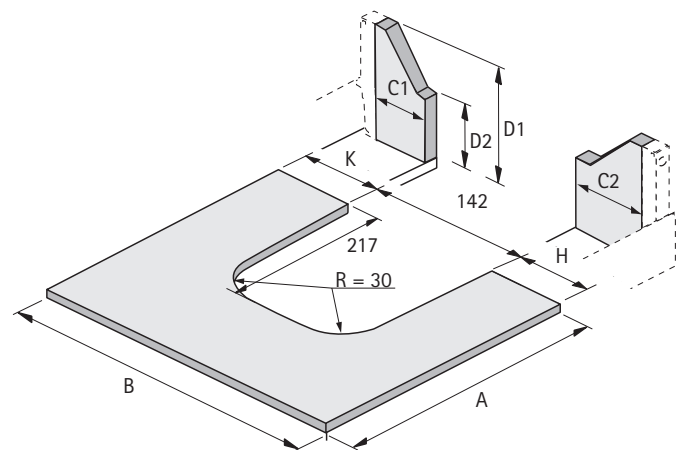
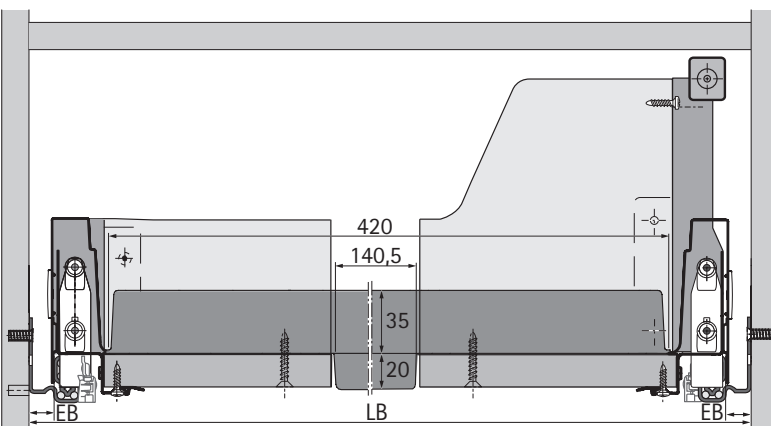
A =	NL - 21
B =	LB - 24
C1 =	K
C2 =	H

## i ArciTech



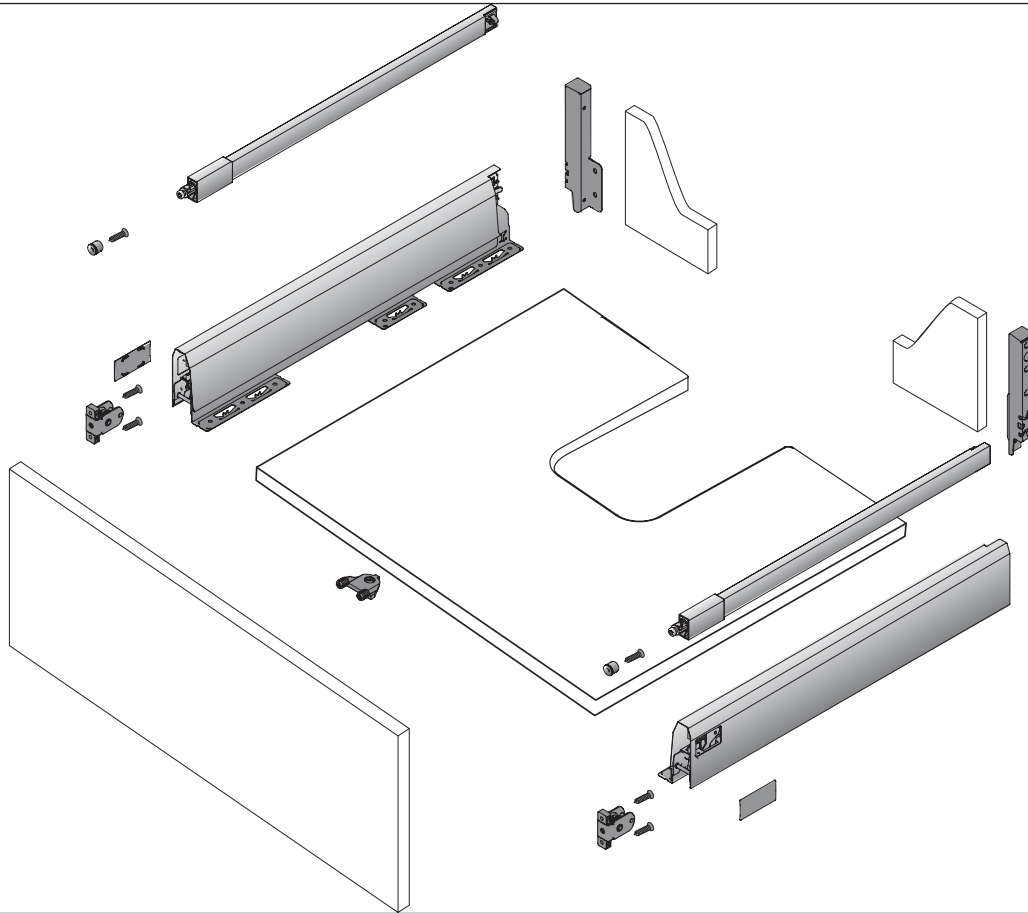
A =	NL - 24,5
B =	LB - 2 x EB - 52,5
C1 =	K - 6
C2 =	H - 6

## i InnoTech / InnoTech Atira



A =	NL + 10
B =	LB - 2 x EB - 51,5
C1 =	K - 6
C2 =	H - 6

1



2

