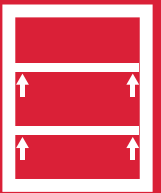


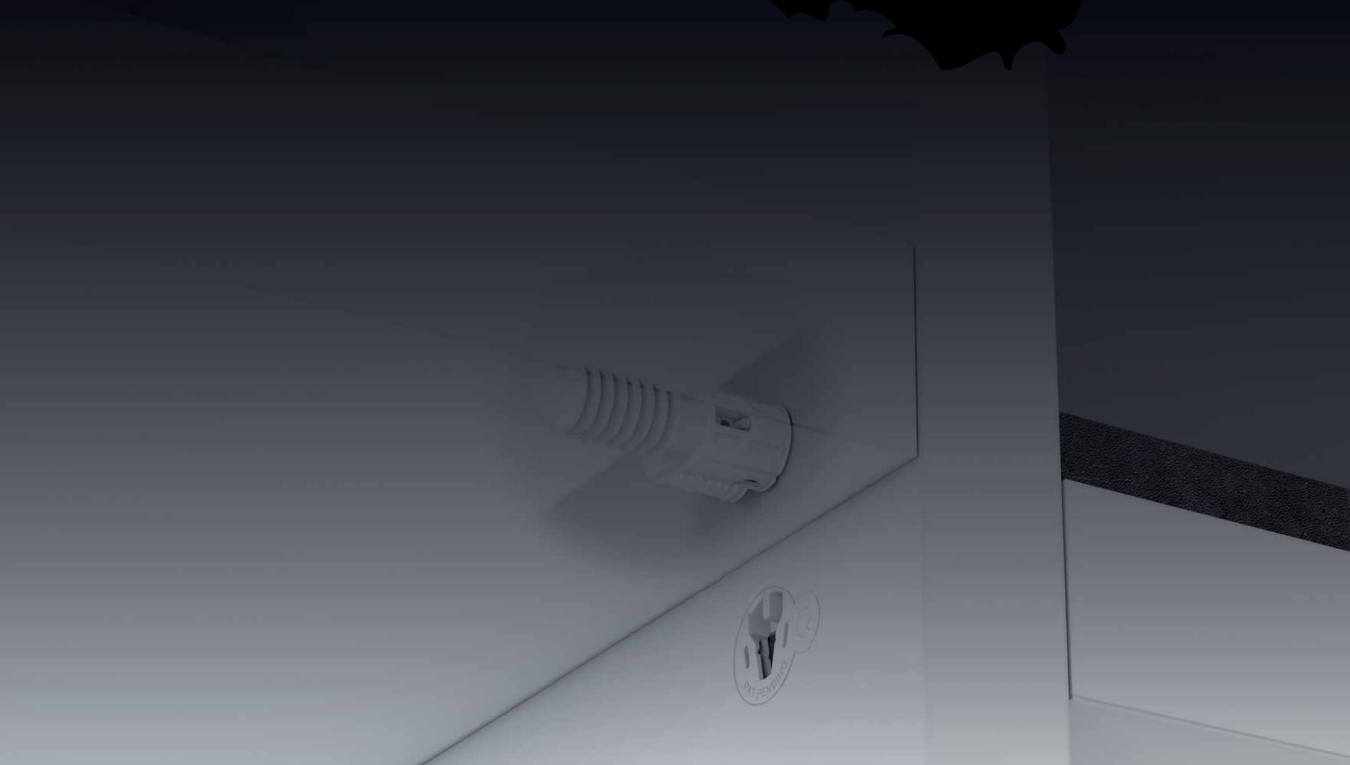
 **ITALIANA**<sup>®</sup>  
f e r r a m e n t a



Secret Maxi



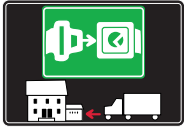
SHELF  
SUPPORTS





# SYMBOLS AND FINISHES LEGEND

## SYMBOLS



= SHELF SAFELY LOCKED DURING TRANSPORTATION AND AT HOME.



= ANTI-TURNOVER LOCKING SYSTEM



= NORMS / PATENTS



= PHILLIPS / POZIDRIV



= WITH BUFFER



= PART NO.



= BLADE SLOT



= WITH MAGNET



= PCS. PER PACKAGE



= COMBI SLOT



= HEXAGONAL SOCKET



= NEWTON



= CAPACITY LOADING



= HEXALOBULAR SOCKET



= FRICTION



= WOOD / GLASS THICKNESS



= COUNTERSUNK HEAD



= AUTOMATIC



= HOLE DIAMETER



= PAN HEAD



= DROP DOWN



= DIAMETER



= FLANGE HEAD



= LENGTH



= FLAT HEAD



= STANDARD HINGE



= HEIGHT



= TRILOBULAR SCREW



= KIMANA HINGE



= RIGHT VERSION



= SELF-TAPPING SCREW



= FLAP HINGE



= LEFT VERSION



= EURO THREAD



= WITH SPRING



= SETTING CODE



= METRIC THREAD



= WITHOUT SPRING



= PCS. PER PAD



= PRE-INSERTED SCREW



= REVERSED SPRING



= CUT ON REQUEST



= PRE-INSERTED SCREW AND SPREADING BUSH



= SELF ADHESIVE



= WITH FLANGE

NOTE: Printing errors and omissions may exist despite our best efforts to ensure accuracy. We reserve the right to alter specifications without notice.

## MATERIALS

**ZA** = Zinc Alloy

**ST** = Steel

**HSS** = High Speed Steel

**BR** = Brass

**ABS** = Acrylonitrile Butadiene Styrene

**ZAnk** = Nickel-plated Zinc Alloy

**STzk** = Zinc-plated Steel

**AL** = Aluminium

**WD** = Wood

**EVA** = Ethylene Vinyl Acetate

**EP** = **ENGINEERING PLASTIC**

+ **EP** = other engineering plastic available on request

**SR** = **SOFT RUBBER**

+ **SR** = other soft rubber available on request

**EPn** = Natural Engineering Plastic

**EPc** = Clear Engineering Plastic

**SRn** = Natural Soft Rubber

**EPw** = White Engineering Plastic

**EPg** = Grey Engineering Plastic

**SRw** = White Soft Rubber

**EPwg** = Water Green Engineering Plastic

**SRb** = Black Soft Rubber



## FINISHES



= OTHER FINISHES AVAILABLE ON REQUEST

PART NO.	FINISHES	PART NO.	FINISHES	PART NO.	FINISHES
00	Insignificant finish	IF	Middle Grey	UT	T-Met 9007
AA	Natural	IJ	Light Grey	UZ	T-Met
AB	White	IL	Grey 20	WA	Bronzed
AE	White 9010	IN	Grey met. 26	WI	Burnished
EA	Black	JB	Bright Aluminium	XD	Satin-finished Steel
EC	Matt Black	JC	Aluminium - Chrome	YA	Nickel-plated
EE	Anthracite	JD	Matt Aluminium	YB	Bright Nickel-plated
EW	Grey 9007	JE	Satin-finished Aluminium	YC	Matt Nickel-plated
FU	Gunmetal	JF	Aluminium - Brass	YD	Satin-finished Nickel-plated
FV	Gunmetal V52	JG	Aluminium 5	YQ	Black Nickel
GR	Raw	JL	Aluminium PE 11	Z9	Black Zinc
HA	Brass-Plated	JM	Aluminium RAL 9006	ZA	Zinc alloy
HH	Tropicalized	KA	Chrome	ZN	Zinc-plated
HL	Raw Brass	KB	Bright Chrome	ZQ	Bright Gold
HX	Graphite	KC	Matt Chrome	ZY	Titanium
IA	Grey	NN	Metallic Beige	ZZ	Clear
IB	Metallic Grey	RO	Red		



## SECRET MAXI FOR 25 mm SHELF MIN.

SECRET is a hidden shelf support which guarantees both the shelf locking and unlocking.

The shelf support SECRET is completely hidden, even when used on bifacial furniture.

The hanging system provides a structural junction between the shelf and the side panel, thus making SECRET suitable even for constructions with flap and drop-down doors.

When flap and drop-down doors are required, the shelf can be fully locked by using an exagonal key S 2,5.

The hole for the shelf locking can be drilled on either the upper or the lower side of the shelf.

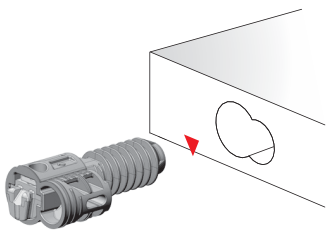
SECRET allows the customer to fix and remove the shelves in an easy and intuitive way.

The furniture processing doesn't require any milling, but simple drilling operations.

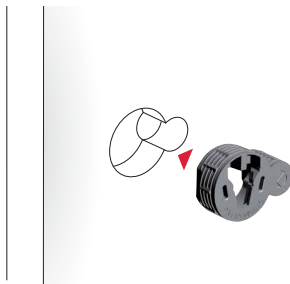


### INSTALLATION AND ASSEMBLING

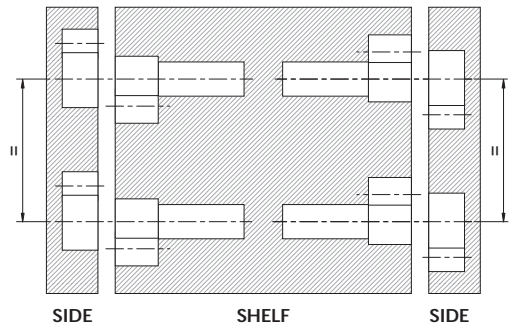
#### SHELF SUPPORT INSERTION ON THE SHELF



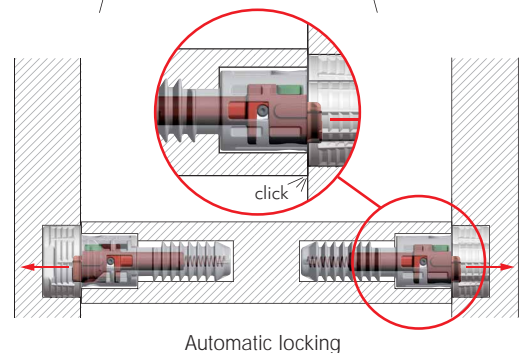
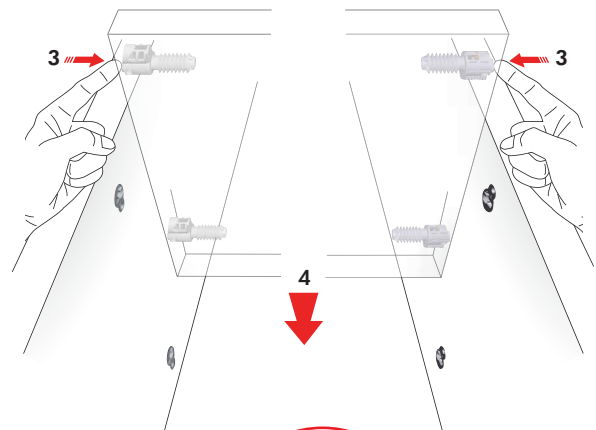
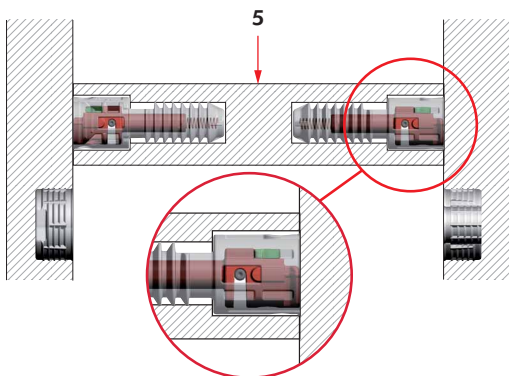
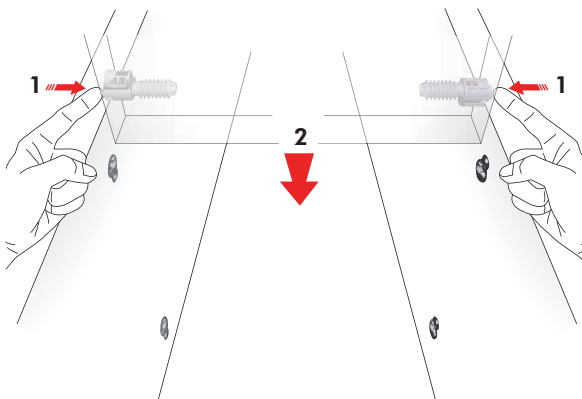
#### SIDE BUSH INSERTION



#### ALIGNMENT SHELF SUPPORT AND SIDE BUSH



#### SHELF PLACEMENT

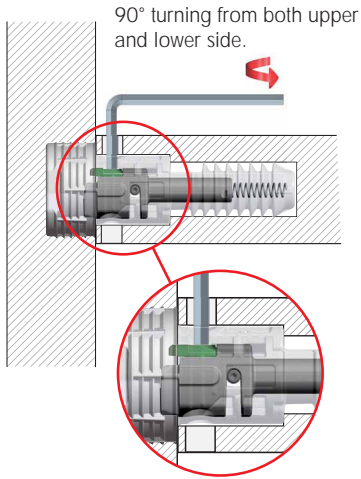




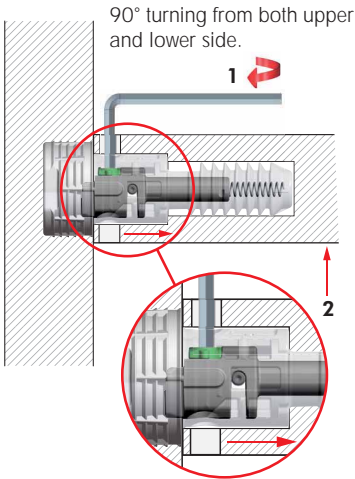
### LOCKING DEVICE WHEN SHELVES MOUNTING HINGES FOR LIFT UP OR DROP DOWN DOORS

Ø 4 mm hole allows the access to the minifix with an hexagonal key S 2,5. It can be drilled either on the upper or on the lower side of the shelf, (or even a passing through hole) according to the customer's needs.

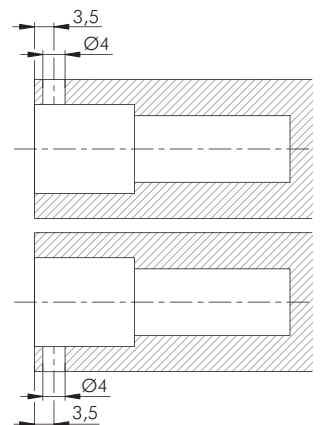
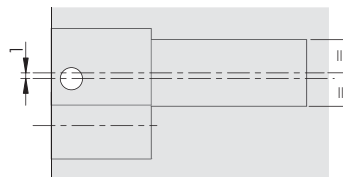
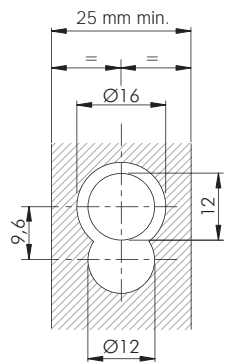
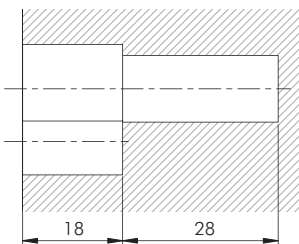
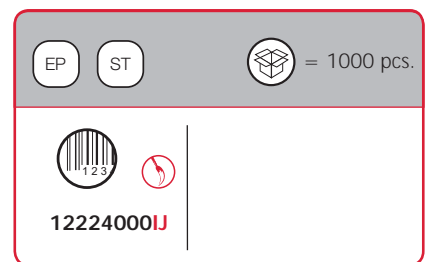
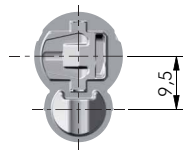
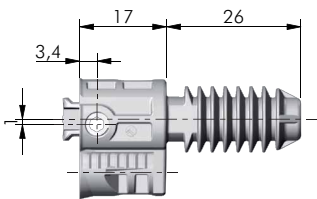
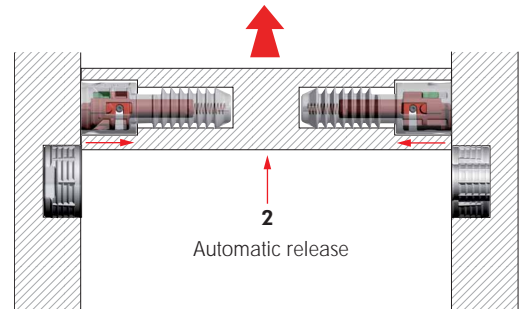
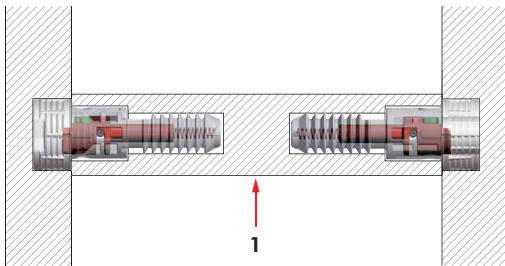
#### SHELF LOCKING

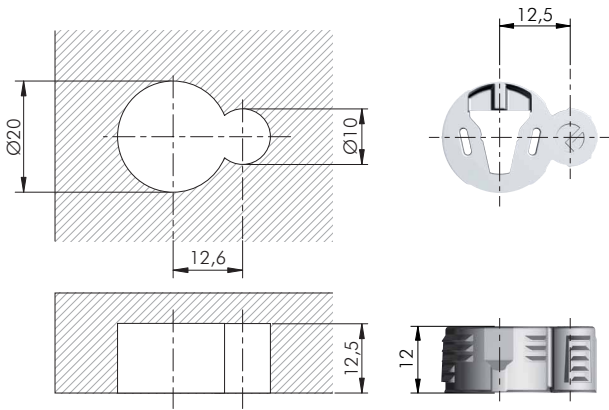


#### SHELF UNLOCKING

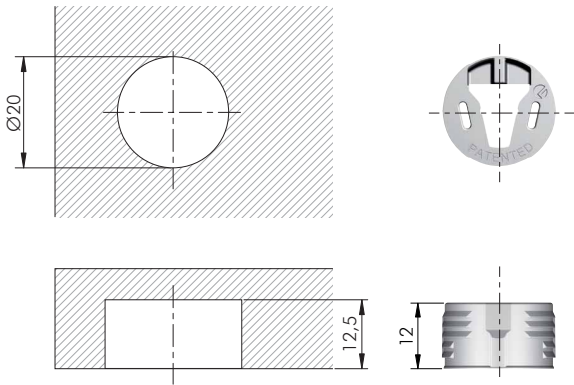


#### SHELF REMOVAL





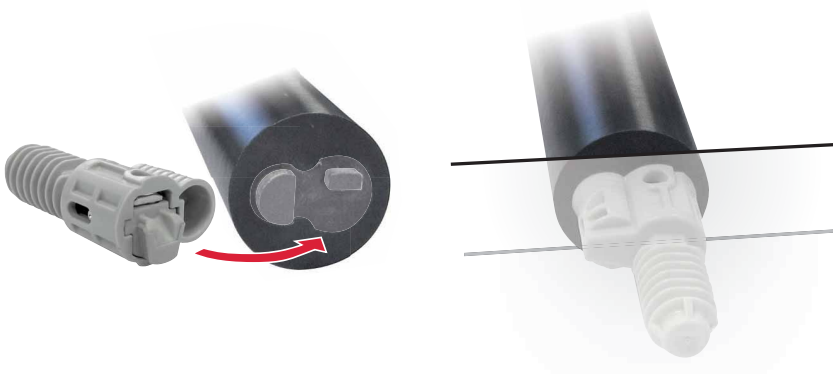
EP	= 5000 pcs.
123	
<b>12226000IJ</b>	



EP	= 1000 pcs.
123	
<b>12228000IJ</b>	

Exclusively conceived for automatic assembly.

## SECRET MAXI TEMPLATE FOR SHELF SUPPORT



	= on request
123	
<b>1226200000</b>	

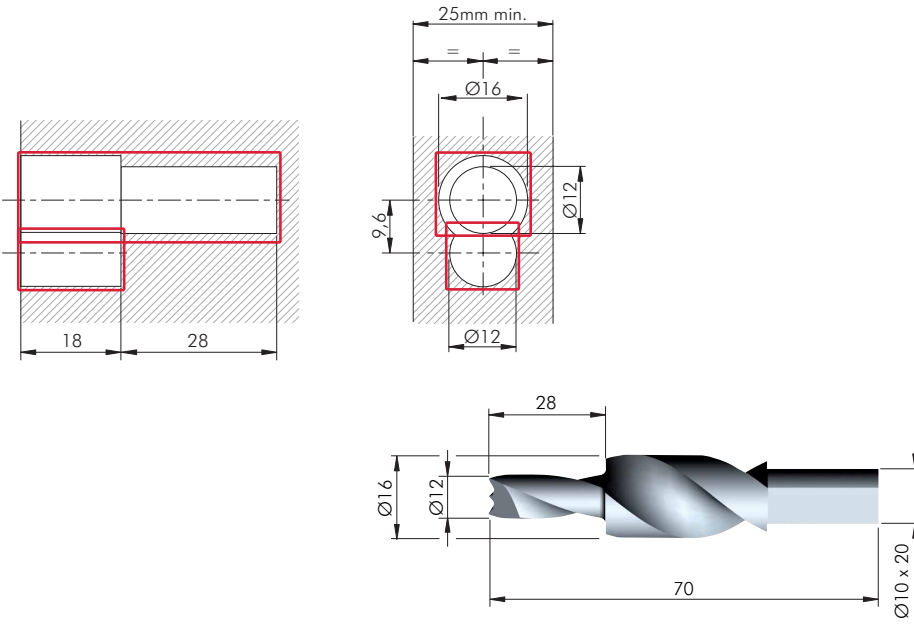
## SECRET MAXI TEMPLATE FOR SIDE BUSH



	= on request
123	
<b>1226400000</b>	

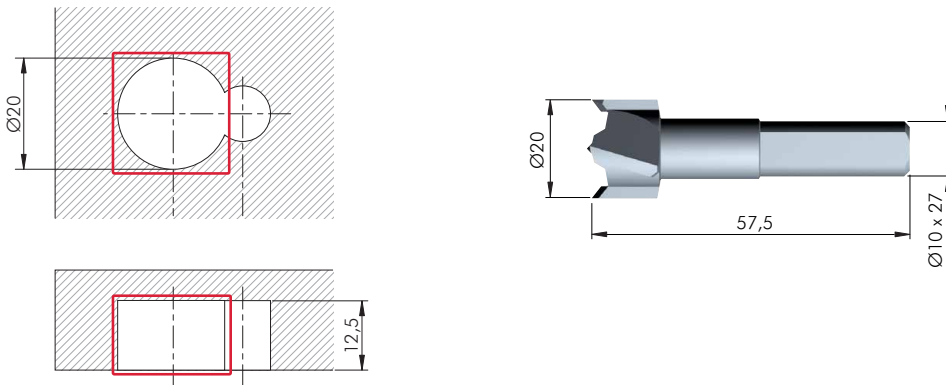


**DRILL BIT FOR SECRET MAXI**

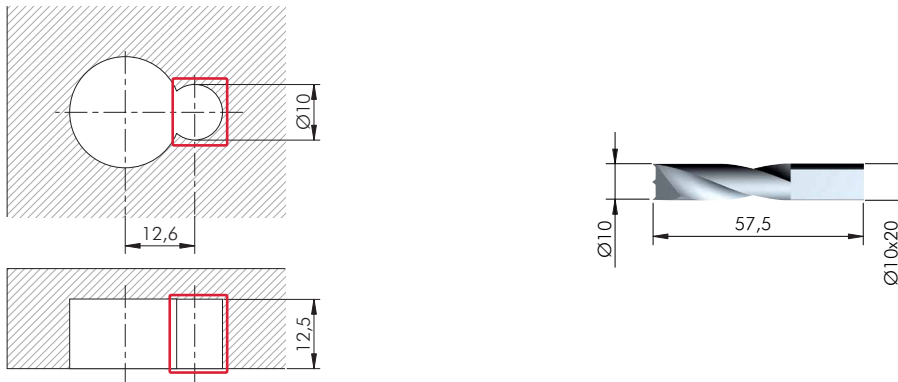


HSS	= on request
123	
1220103000	<b>(R)</b>
1220104000	<b>(L)</b>

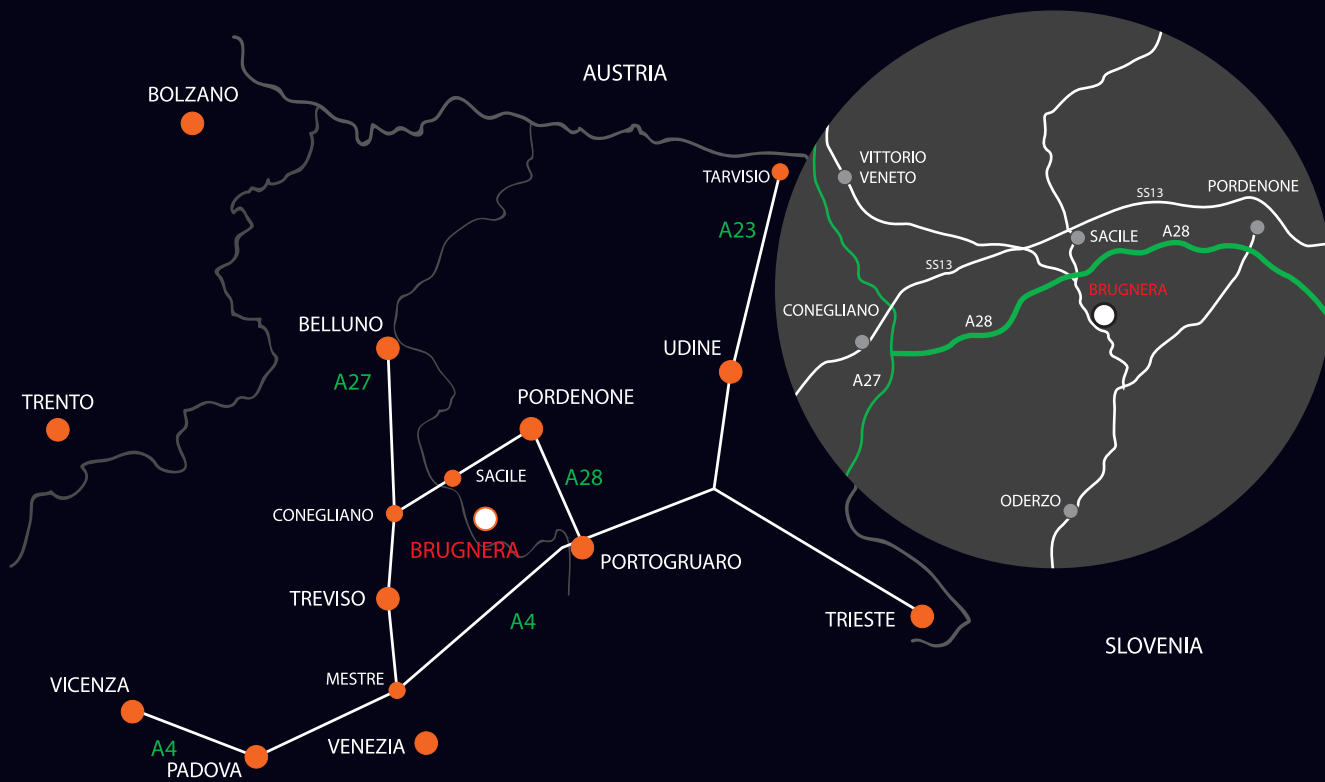
**DRILL BIT FOR SECRET MAXI SIDE BUSH**



HSS	= on request
123	
1220102000	



HSS	= on request
123	
1220101000	



[www.italianaferramenta.com](http://www.italianaferramenta.com)