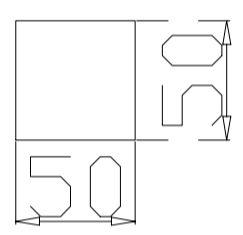
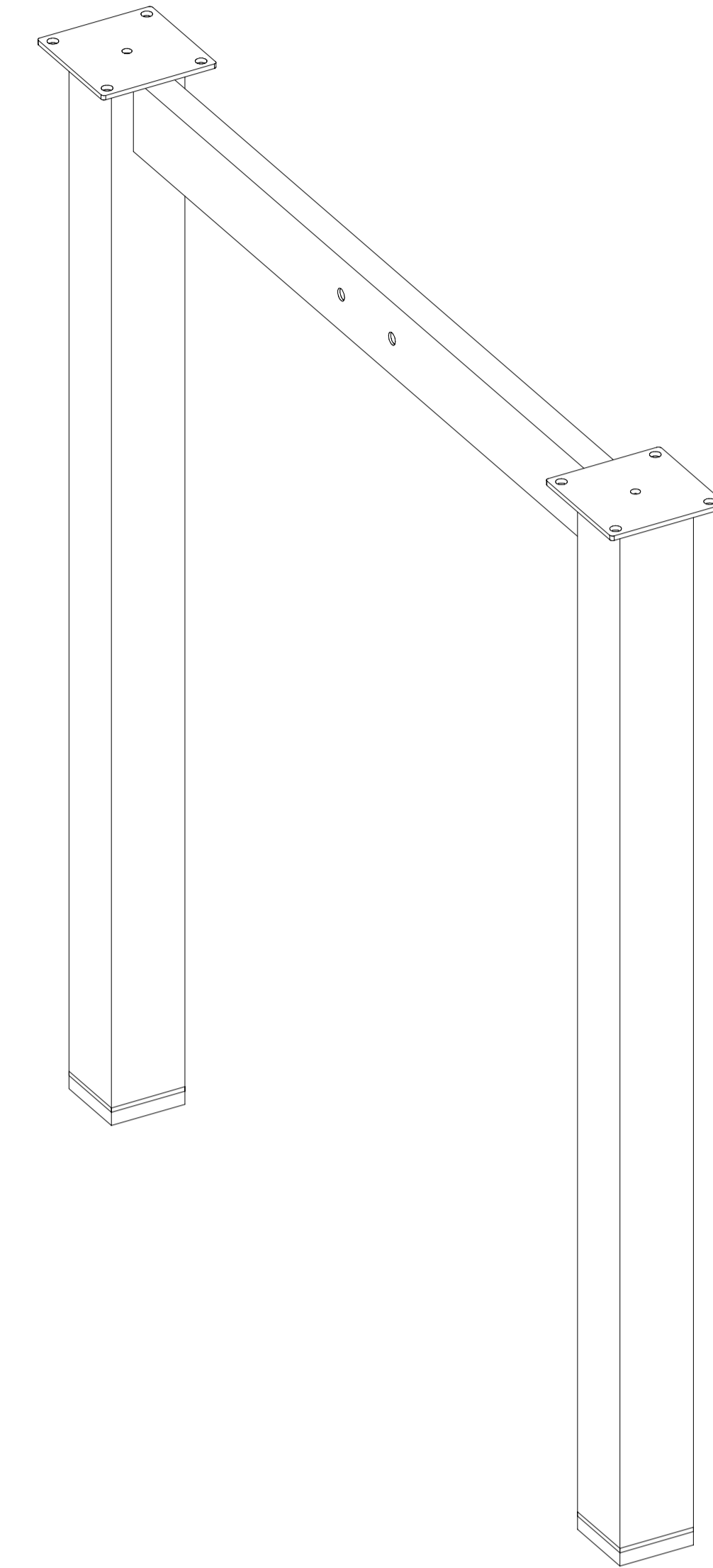
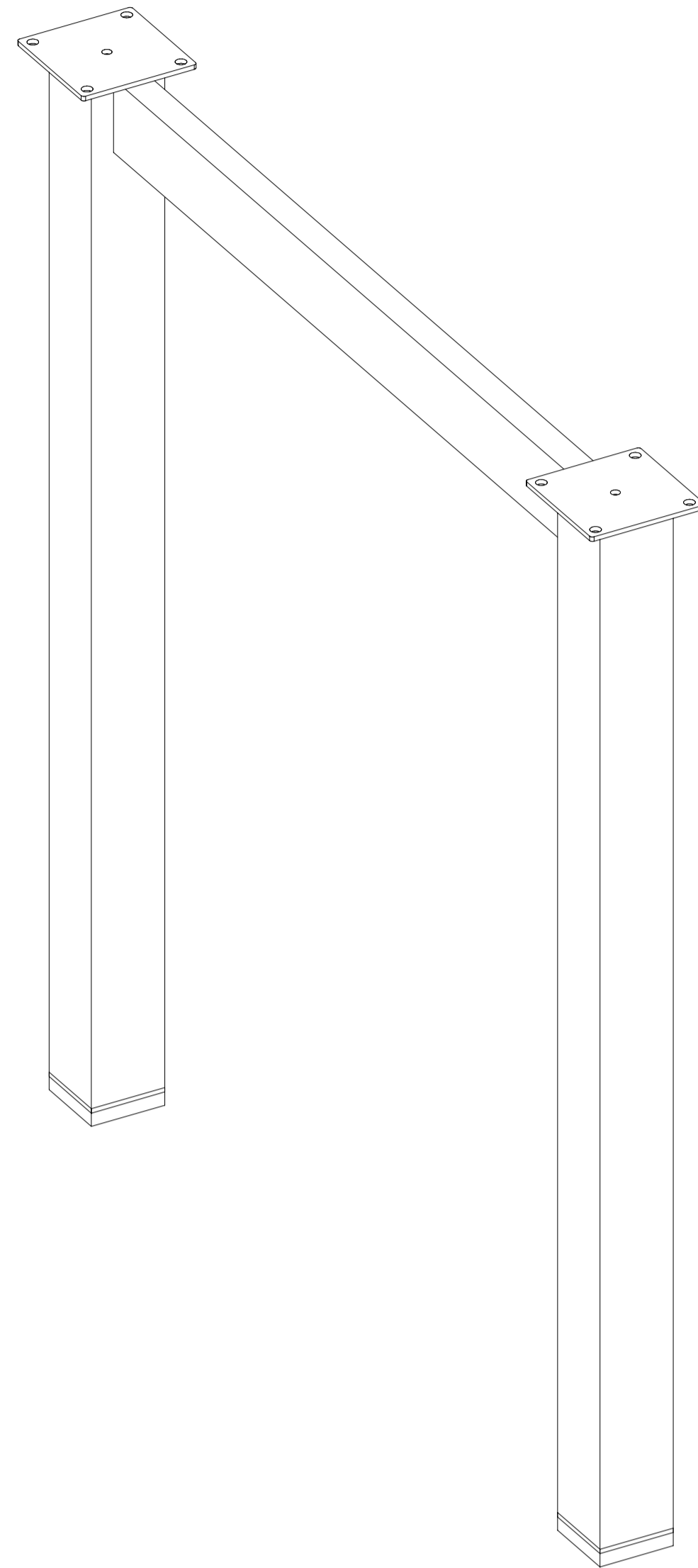


# GRUPA VI GROUP VI

STELAŽ  
STEEL LEGS  
ST 526 / 60, ST 526 / 70,  
ST 526 / 80

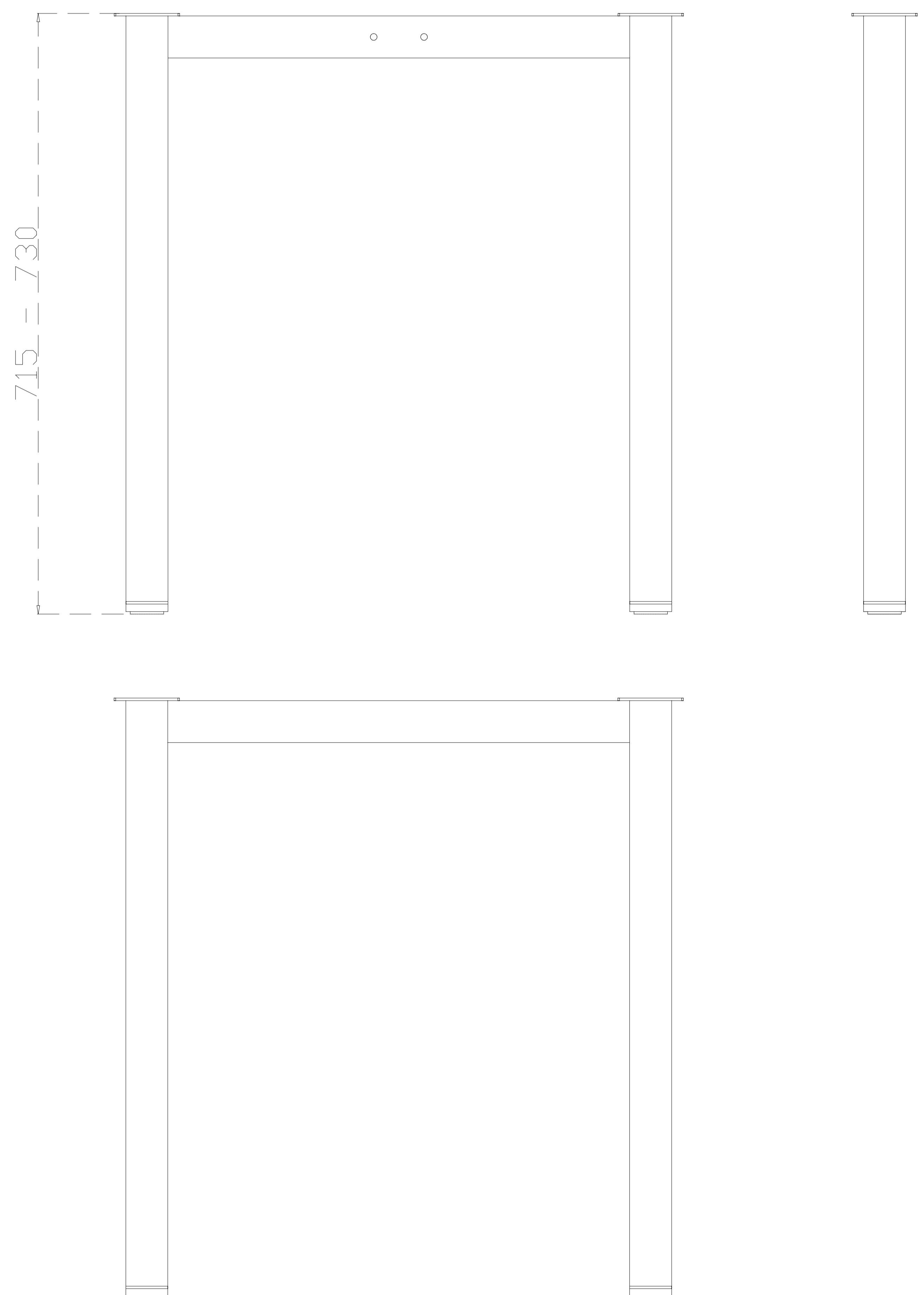
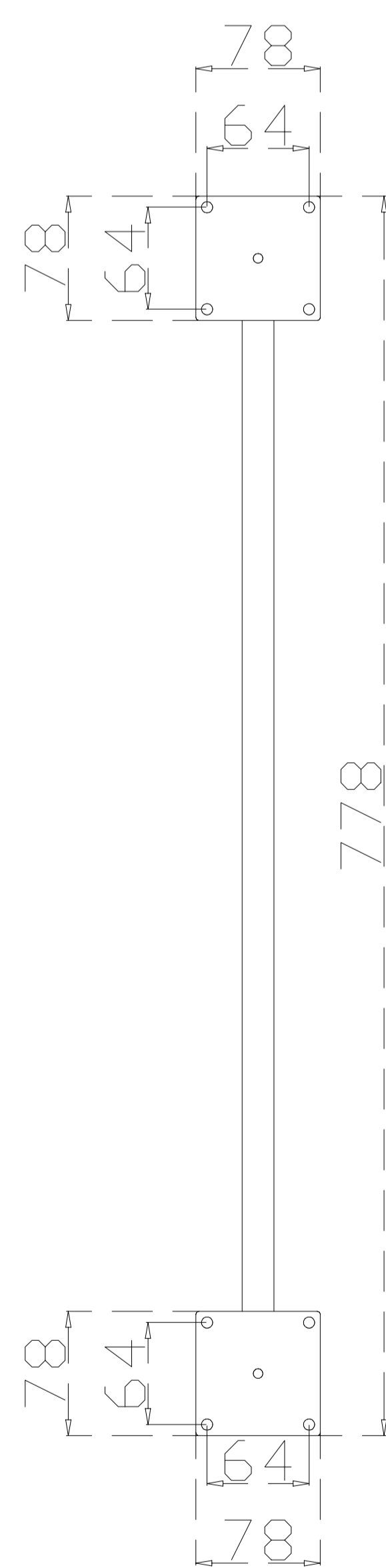
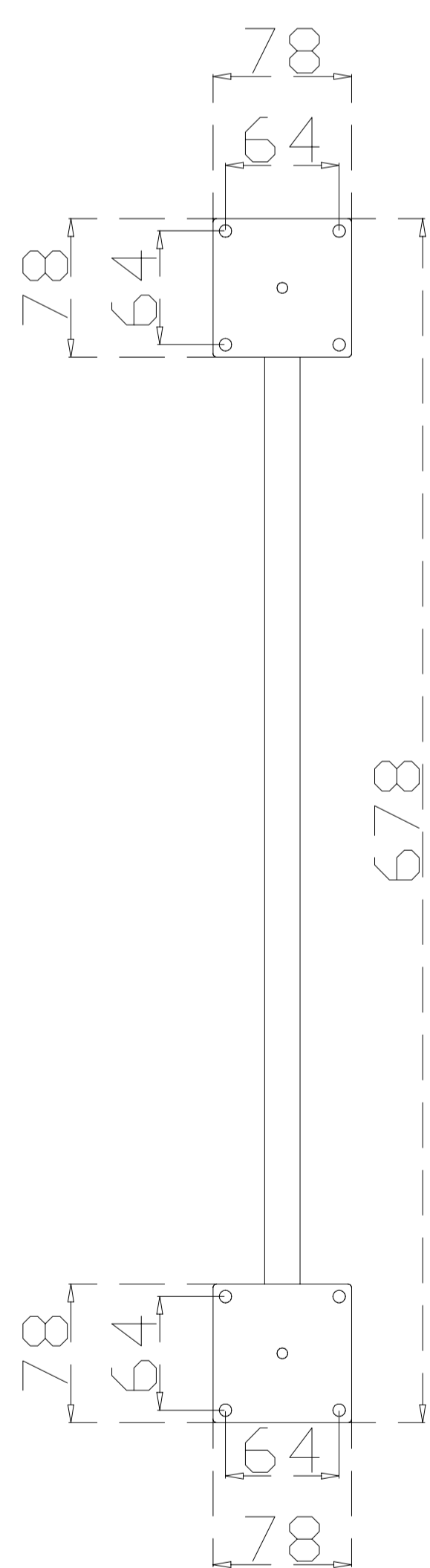
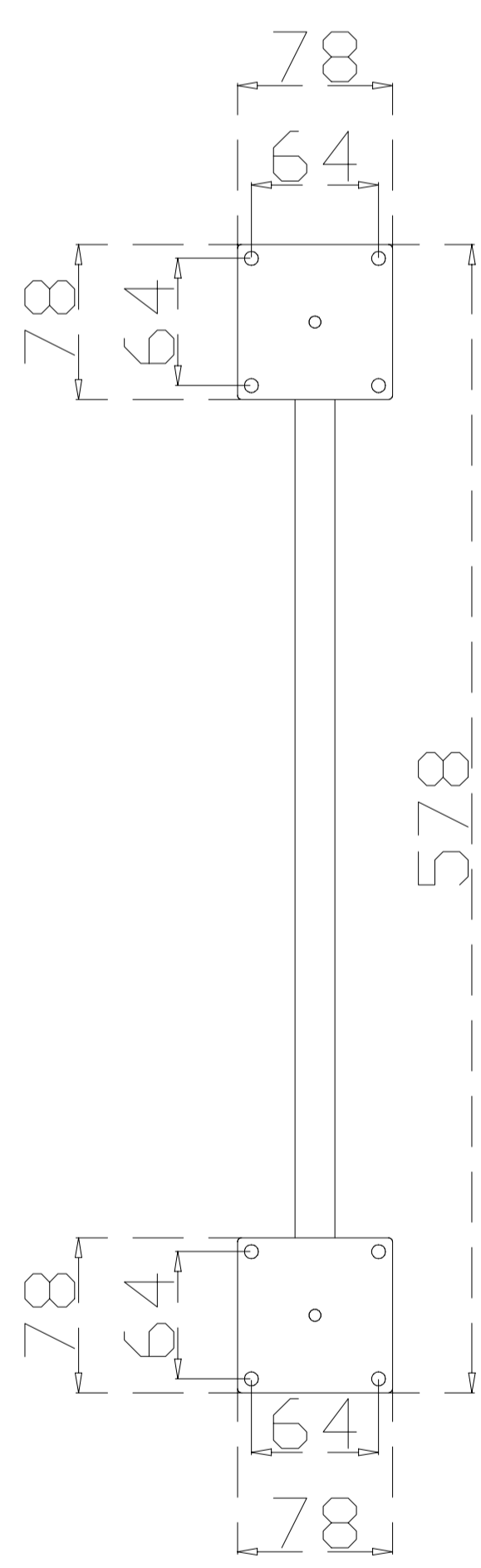
# MILA DESIGN



ST 526 / 60  
\* 600 mm

ST 526 / 70  
\* 700 mm

ST 526 / 80  
\* 800 mm



\* DO BLATU I FOR TOP