

**Important dimension**

for handle: Arte GM  
**A = 24 mm, B = 21 mm**

---

for handles: Porto GM  
 Prosper GM  
**A = 21 mm, B = 18 mm**

**COMPONENTS**

**Handle**

L: 2.70 m  
 3.00 m

Arte GM  
 L: 2.70 m

Porto GM  
 Prosper GM

**Top track Gemini-Decor**

L: 1.70 m, 2.35 m  
 3.00 m, 4.05 m  
 6.00 m

76 mm

**Bottom track Gemini-Decor II**

L: 1.70 m, 2.35 m  
 3.00 m, 4.05 m  
 6.00 m

53 mm

**Guiding carriage**

GM18 asymmetrical  
 or  
 GM18 symmetrical

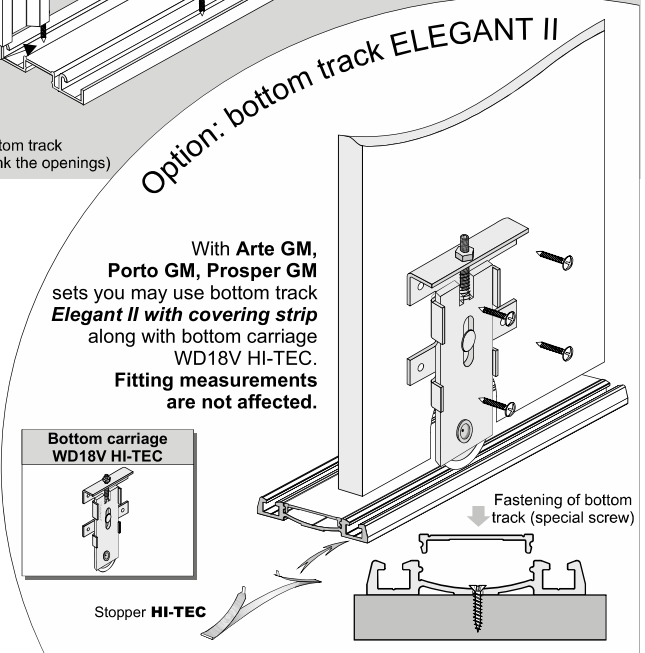
**Angle section**

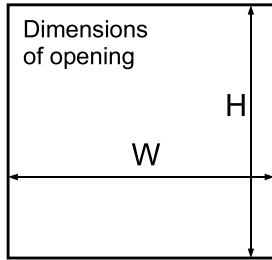
MINI 11 mm x 17 mm  
 L: 1.70 m,  
 2.35 m,  
 3.00 m

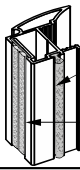

K2 Decor  
 L: 1.70 m,  
 2.35 m,  
 3.00 m

**Bottom carriage WD18C HI-TEC**

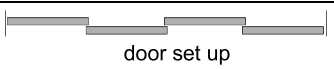
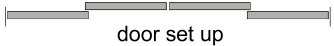
**Bottom carriage WD18V HI-TEC**

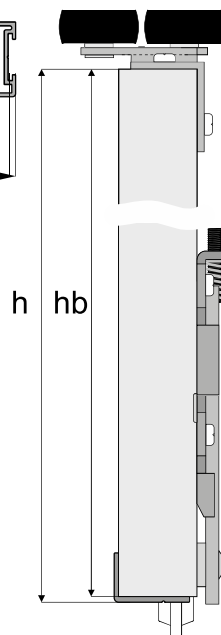
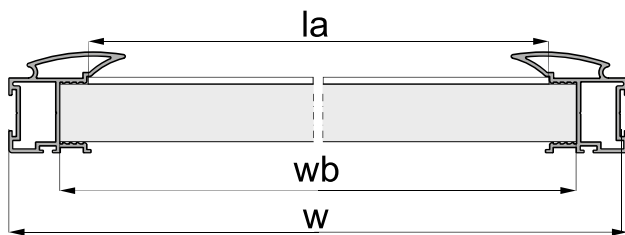




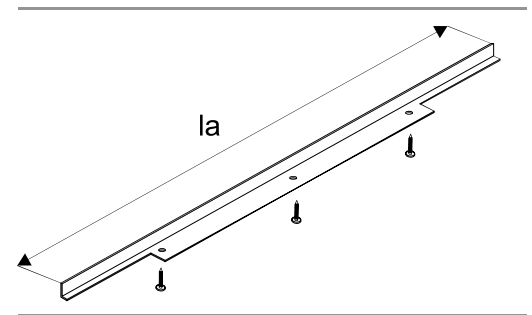
Handle length = door height		
<b>LINE ARTE GM</b>		
 <p><b>Handle Arte GM</b> anti-dust brushes (inserted) 4.8 mm x 13 mm textile door stop (inserted) 14 mm x 4 mm</p>	 <p><b>Guiding carriage GM18 asymmetrical</b> L/R</p>	
door height - h	$h = H - 42 \text{ mm}$	
door wing height with soft-close fitted	Mini SV25/40/60 SV-25/50	$h = H - 42 \text{ mm}$
	Top SV60/80, Central SV25/40	$h = H - 44 \text{ mm}$
board height - hb	$hb = h - 2 \text{ mm}$	
door width - w	$w = (W - 3 \text{ mm} + Z) : N$	
board width - wb	$wb = w - 32 \text{ mm}$	
angle section length - la	$la = w - 48 \text{ mm}$	

number of doors - N	2	3	4	5
total overlap - Z	36 mm	72 mm	108 mm	144 mm

visual design – 4 wings	
 <p>door set up</p>	$w = (W - 3 + 108) : 4$
 <p>door set up</p>	$w = (W : 2 + 33) : 2$

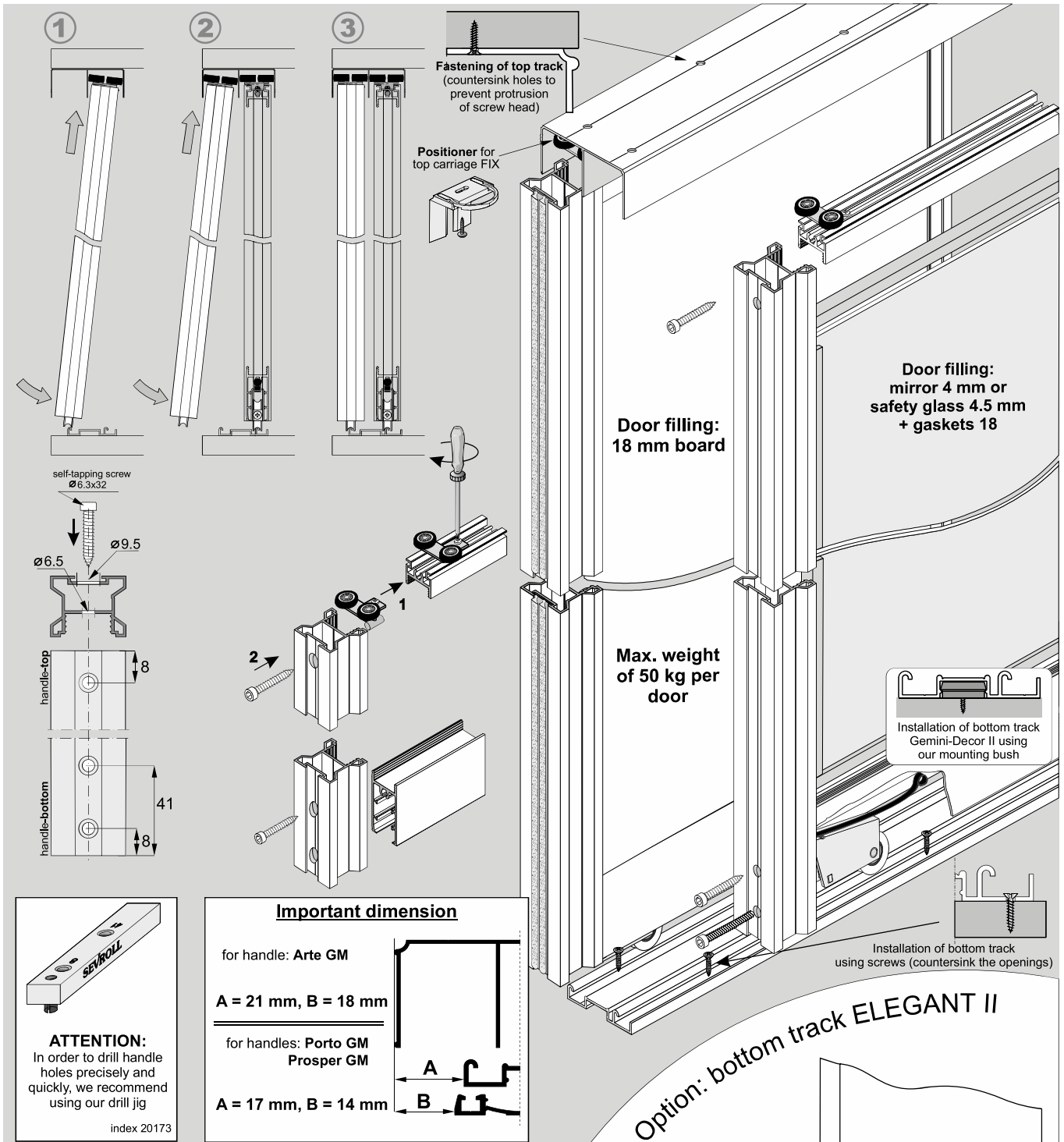


- When fitting handle profiles, do not use assembly adhesive
- The handle should be fixed to board with fastening screws on the inner door face



**ATTENTION!**  
Handle profile should be 2 mm longer than board height.

**WARNING**  
SEVROLL does not bear any responsibility for deformation resulting from the application of improper quality of boards (improper storage, improper humidity)



**ATTENTION:**  
In order to drill handle holes precisely and quickly, we recommend using our drill jig

index 20173

**Important dimension**

for handle: Arte GM  
A = 21 mm, B = 18 mm

for handles: Porto GM  
Prosper GM  
A = 17 mm, B = 14 mm

**COMPONENTS**

<p><b>Handle</b></p> <p>L: 2.70 m, 3.00 m</p> <p>Arte GM</p> <p>L: 2.70 m</p> <p>Porto GM</p> <p>Prosper GM</p>		<p><b>Upper horizontal profile Decor GM 18 Frame (A)</b></p> <p><b>Lower horizontal profile Decor GM 18 Frame (B)</b></p> <p>L: 1.70 m, 2.35 m, 3.00 m</p>	
<p><b>Guiding carriage</b></p> <p>Gm18 Frame asymm.</p> <p>or GEMINI</p>	<p><b>Bottom carriage WD10C HI-TEC</b></p>	<p><b>Top track Gemini-Decor</b></p> <p>L: 1.70 m, 2.35 m, 3.00 m, 4.05 m, 6.00 m</p> <p>76 mm</p>	<p><b>Bottom track Gemini-Decor II</b></p> <p>L: 1.70 m, 2.35 m, 3.00 m, 4.05 m, 6.00 m</p> <p>53 mm</p>

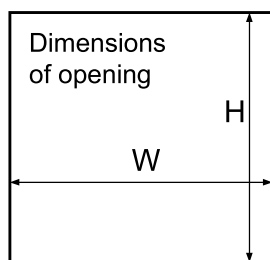
With Arte GM, Porto GM, Prosper GM set you may use bottom track **Elegant II** with covering strip along with bottom carriage WD 10V HI-TEC. **Fitting measurements are not affected.**

**Bottom carriage WD10V HI-TEC**

Stopper HI-TEC

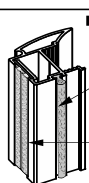
Fastening of bottom track (special screw)

**You must remember to purchase self-tapping screws to construct each door (4 screws per door). When using safety glass, you must also remember to purchase gaskets.**



Handle length = door height

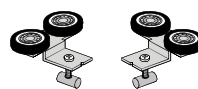
## LINE ARTE GM



Handle Arte GM

anti-dust brush  
(inserted)  
4.8 mm x 13 mm

textile door stop  
(inserted)  
14 mm x 4 mm

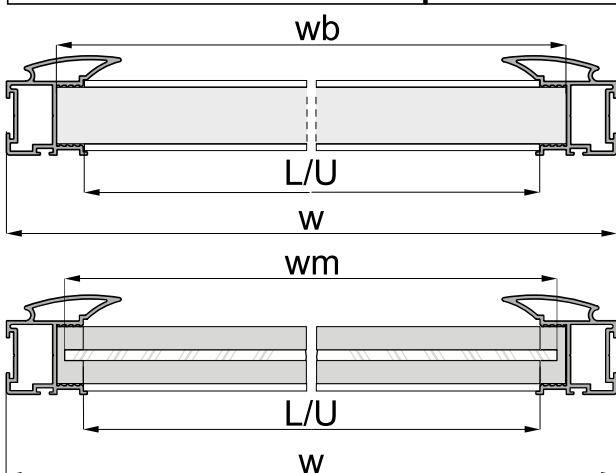
Guiding carriage  
GM18 Frame asymmetrical

door height - h	$h = H - 40 \text{ mm}$	
door wing height with soft-close fitted	Mini SV25/40/60 SV-25/50	$h = H - 40 \text{ mm}$
	Top SV60/80, Central SV25/40	$h = H - 44 \text{ mm}$
board height - hb	$hb = h - 64 \text{ mm}$	
door width - w	$w = (W - 3 \text{ mm} + Z) : N$	
board width - wb	$wb = w - 32 \text{ mm}$	
lower horizontal profile length - L	$L = U = w - 48 \text{ mm}$	
upper horizontal profile length - U		
mirror height - hm	$hm = hb$	
mirror width - wm	$wm = wb - 4 \text{ mm}$	

number of doors - N	2	3	4	5
total overlap - Z	36 mm	72 mm	108 mm	144 mm

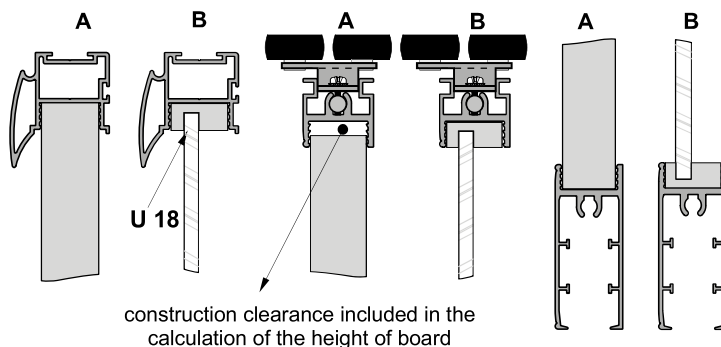
## visual design – 4 wings

	$w = (W - 3 + 108) : 4$
	$w = (W : 2 + 33) : 2$



## Installation method for fitting 18 mm board (diag. A) and 4 mm mirror or glass (diag. B)

- with handle      - with upper profile      - with lower profile



## ATTENTION!

Mirror (4 mm) should be used with a safety backing film. Safety glass (4.5 mm) comprises of two thin layers with a film in-between. Both mirror and glass need fitting gaskets U 18.

