

**COMPONENTS**

**Handle Universal C**  
L: 2.70 m  
anti-dust brushes (self-adhesive) 6.7 mm x 9 mm  
textile door stop (inserted) 4.8 mm x 4 mm  
#16, #18

**Top track Gemini-Decor**  
L: 1.0 m, 2.35 m, 3.00 m, 4.05 m, 6.00 m  
76 mm

**Bottom track Gemini-Decor II**  
L: 1.0 m, 2.35 m, 3.00 m, 4.05 m, 6.00 m  
53 mm

**Angle section Mini**  
L: 1.0 m, 2.35 m, 3.00 m  
11 mm x 17 mm

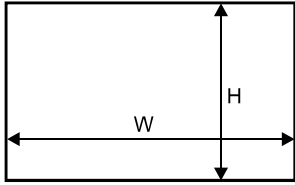
**Guiding carriage Focus**

**Bottom carriage WD18C HI-TEC**

**Bottom carriage WD18V HI-TEC**



## Dimensions of opening

**door filling**

- # 18 mm
- # 12 board with # 4 mm mirror

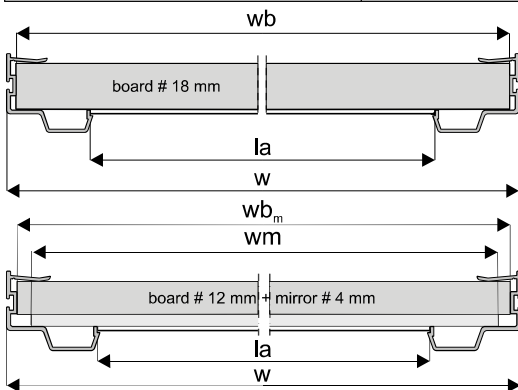
Handle length = door height

door height	- h	$h = H - 42 \text{ mm}$
door wing height with soft-close fitted	Mini SV25/40/60 SV-25/50	$h = H - 42 \text{ mm}$
	Top SV60/80 Central SV25/40	$h = H - 44 \text{ mm}$
board height	- hb	$hb = h - 2 \text{ mm}$
door width	- w	$w = (W - 3 \text{ mm} + Z) : N$
board width #18	- wb	$wb = w - 7 \text{ mm}$
board width #12	- $wb_m$	$wb_m = d - 7 \text{ mm}$
angle section length	- la	$la = w - 62.4 \text{ mm}$

number of doors	- N	2	3	4	5
total overlap	- Z	32 mm	64 mm	96 mm	128 mm

## visual design – 4 wings

	$w = (W - 3 + 96) : 4$
	$w = (W : 2 + 29) : 2$



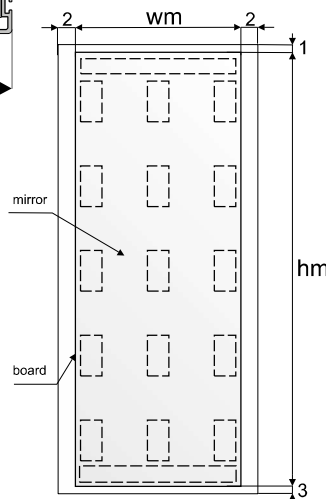
## mirror dimension

mirror height	- $hm = hb - 4 \text{ mm}$
mirror width	- $wm = wb_m - 4 \text{ mm}$

**ATTENTION:**

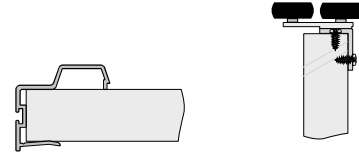
board to mirror contact area should be free from dirt and grase before applying double-sided tape

Broken line indicates recommended positioning of double-sided tape

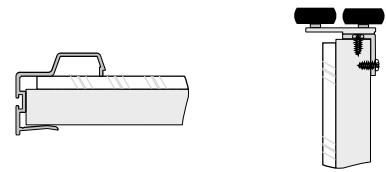


- When fitting handle profiles, do not use assembly adhesive
- The handle should be fixed to board with fastening screws on the inner door face

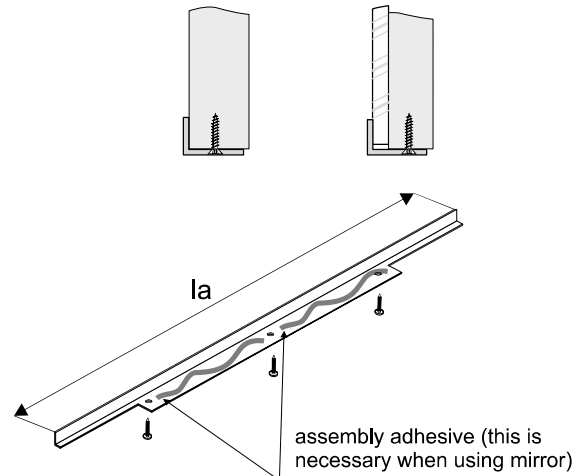
## Installation method for handle and guiding carriage with # 18 mm board



## Installation method for handle and guiding carriage with # 12 mm board + # 4 mm mirror



## Installation method for angle section 11 mm x 17 mm

**ATTENTION!**

Angle section must be fastened to board with minimum 3 screws  $\varnothing 3 \times 25$

**ATTENTION!**

Handle profile should be 2 mm longer than board height.

**WARNING**

SEVROLL does not bear any responsibility for deformation resulting from the application of improper quality of boards (improper storage, improper humidity)

