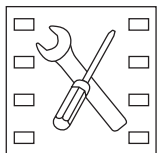


InnoTech Atira Quadro Compact Silent System / Push to open

Technik für Möbel



<http://www.hettich.com/short/15a1d3>

H70



4 x
3,5 x 25 mm



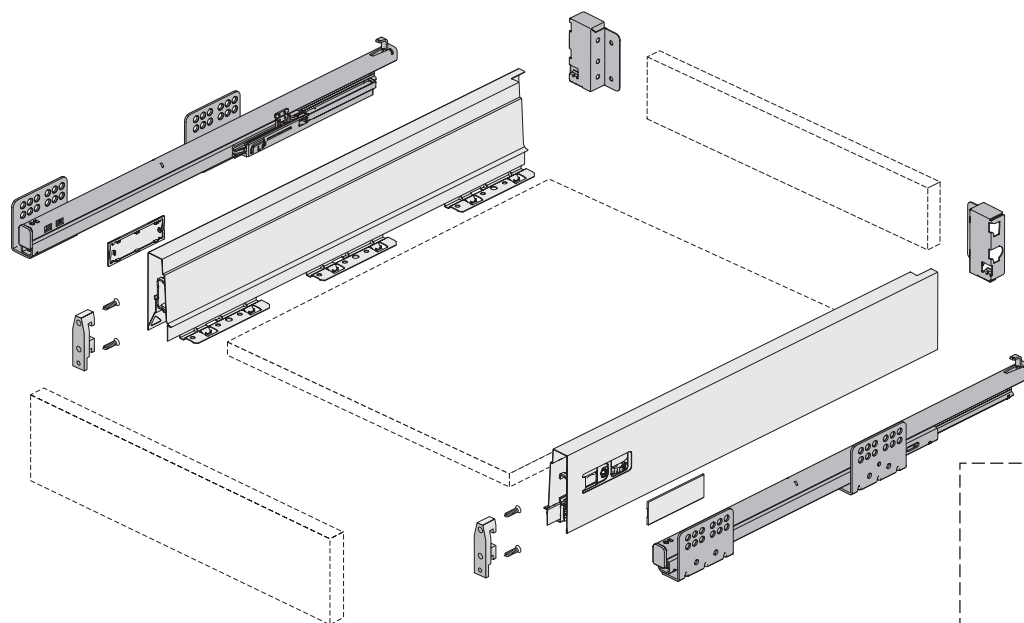
10 x
3,5 x 12 mm



8 x
4 x 16 mm



1 x
3,5 x 30 mm



1x

1x

1x

H144
H176



4 x
3,5 x 25 mm



2 x
3,5 x 12 mm



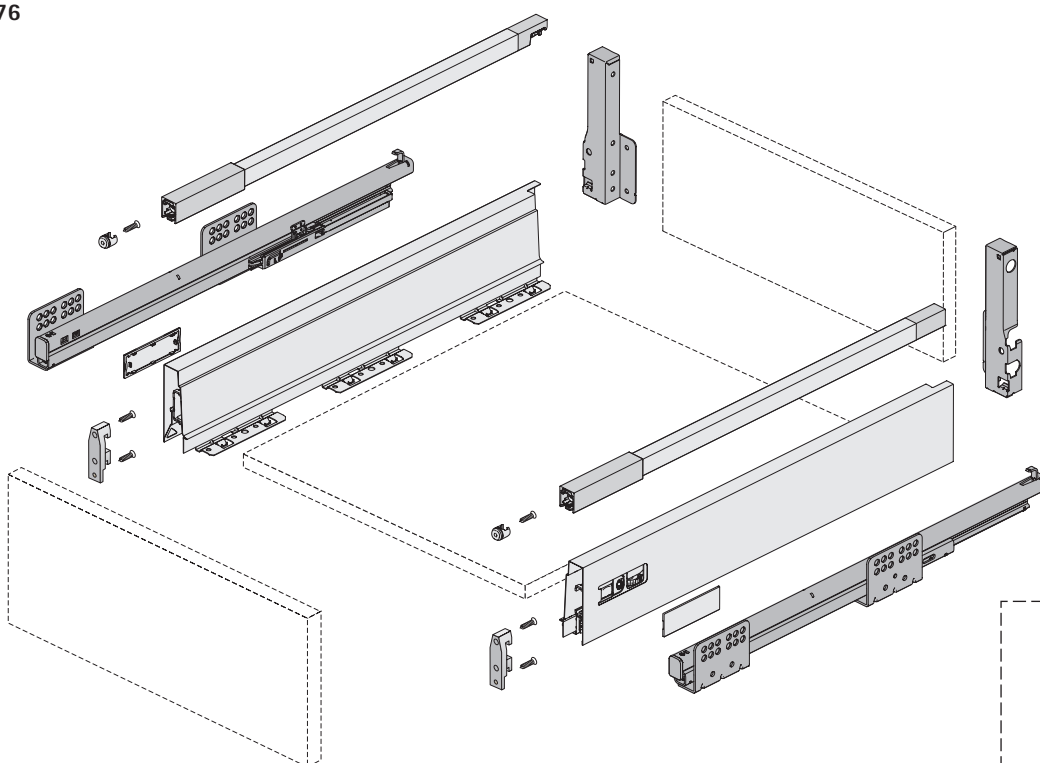
8 x
4 x 16 mm



12 x
3,5 x 12 mm



1 x
3,5 x 30 mm



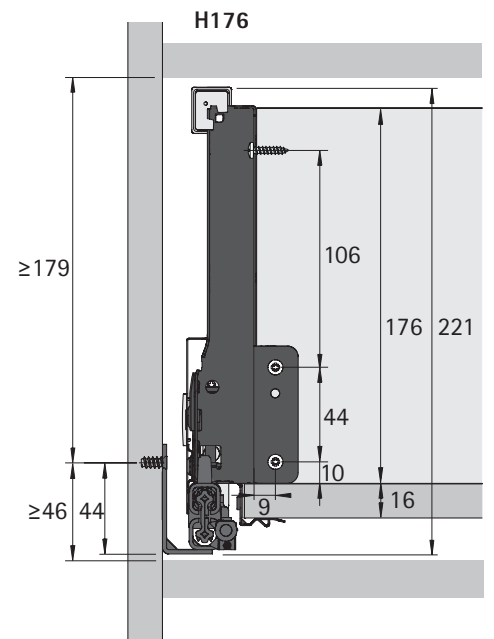
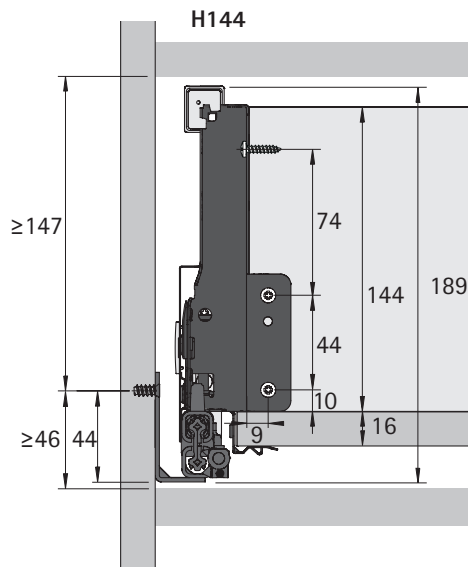
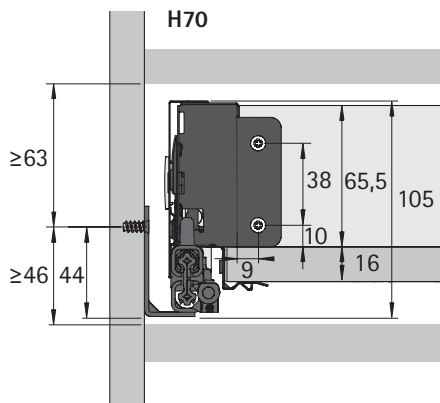
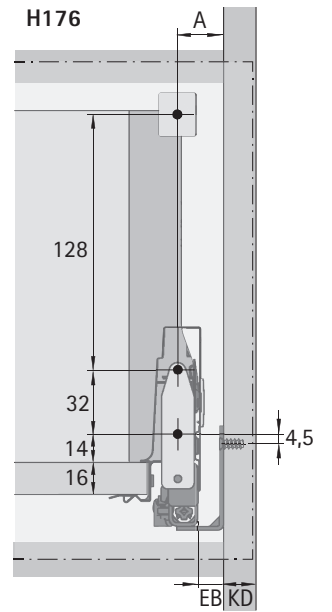
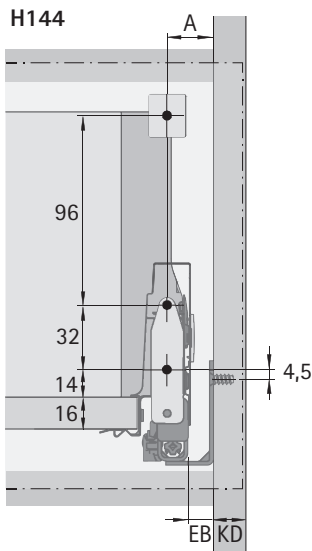
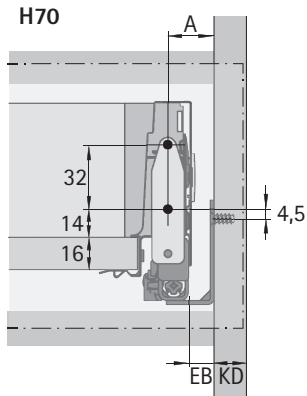
1x

1x

1x

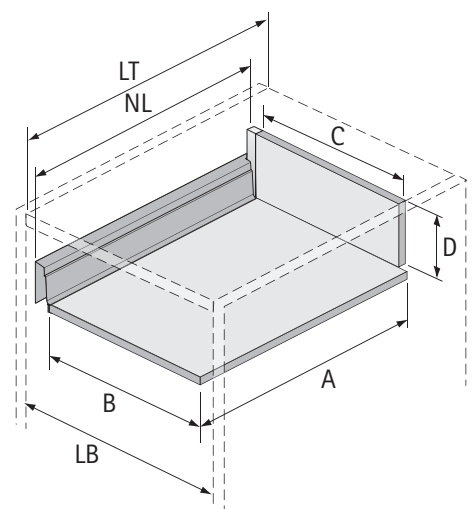
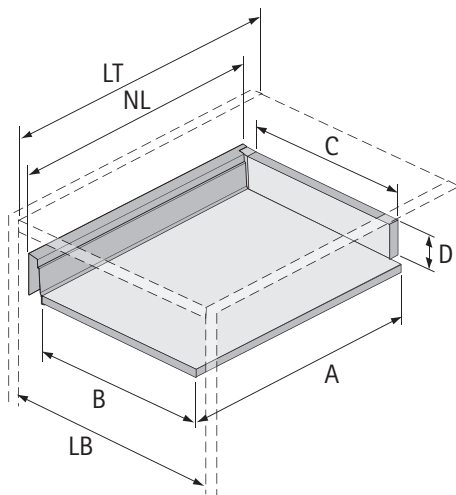


KD mm	16
EB mm	12,5
A mm	23



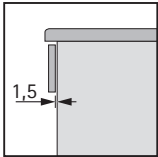
$A = NL + 10$
 $B = LB - 2 \times EB - 51,5$
 $C = LB - 2 \times EB - 63$

	D
H70	65,5
H144	144
H176	176

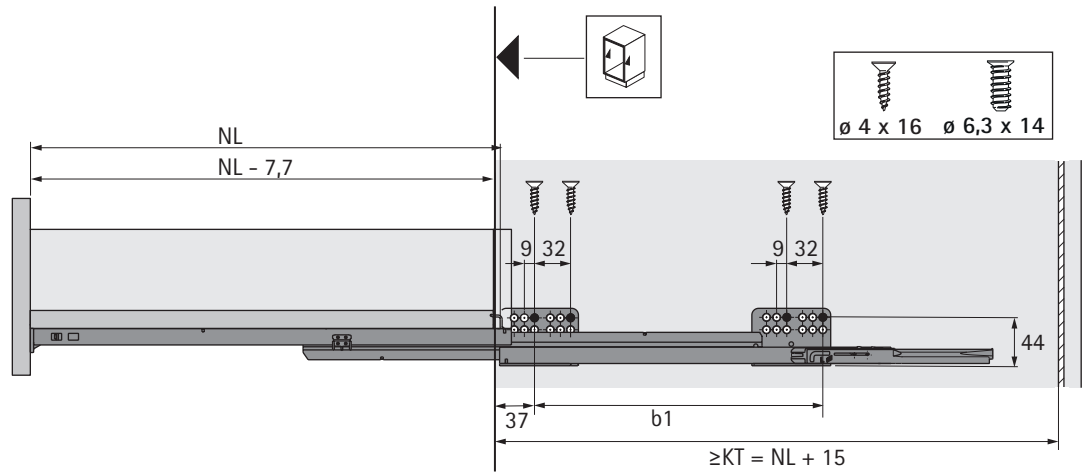
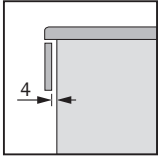




Silent System



Push to open



NL mm	b1 mm
470	256
520	256

1

H70

H144
H176

2 H70

2 H144
H176

3

4

5

6 H70

6 H144
H176

