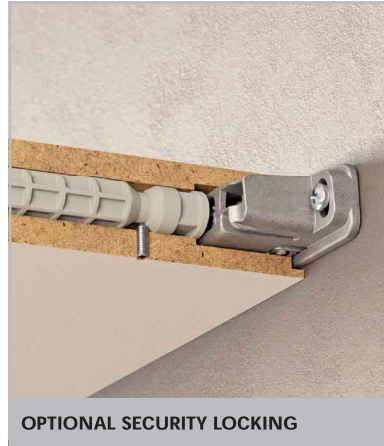
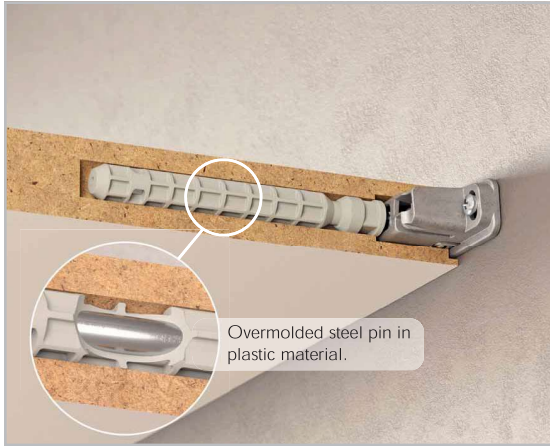




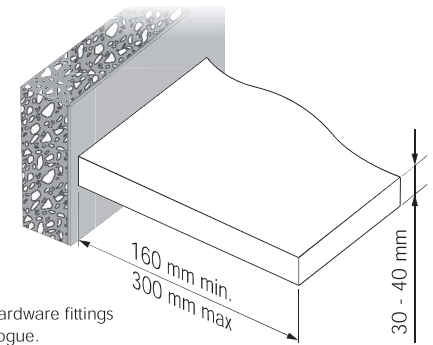
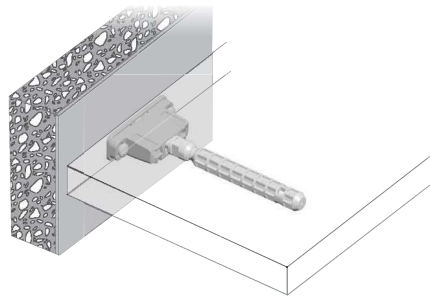
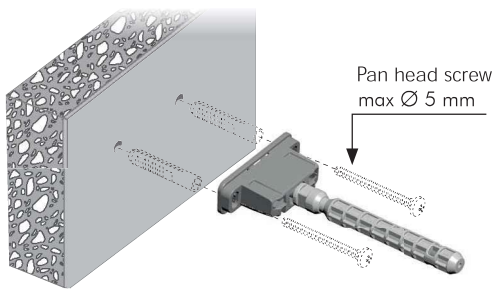
## TRIADE PRO



30-40 mm

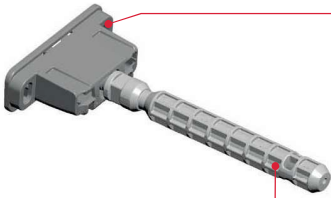
30 kg per pair for shelf 300 mm deep

### SPECIFICATION



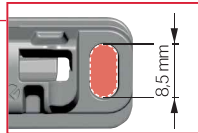
It is the responsibility of the customer: to ensure the wall is of a suitable quality to hold the shelf fixing in place and to use the proper hardware fittings according to the construction of the wall. For more specific information, please refer to the WARNINGS section at the end of the catalogue.

### ADJUSTMENT

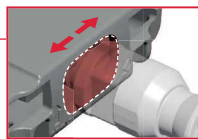


Screw to lock when adjustments are finished.

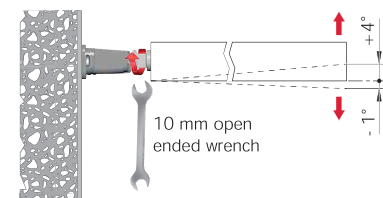
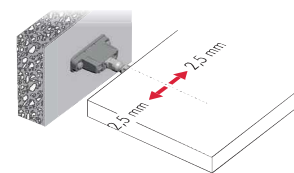
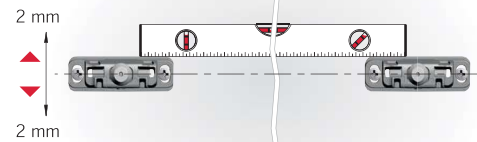
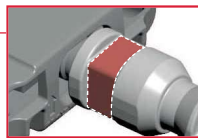
### BRACKET ALIGNMENT



### LATERAL ADJUSTMENT

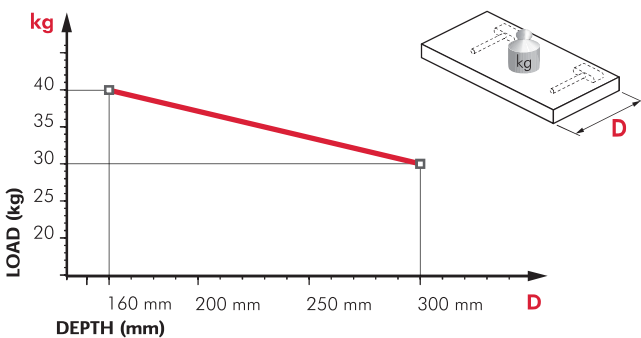


### INCLINATION ADJUSTMENT

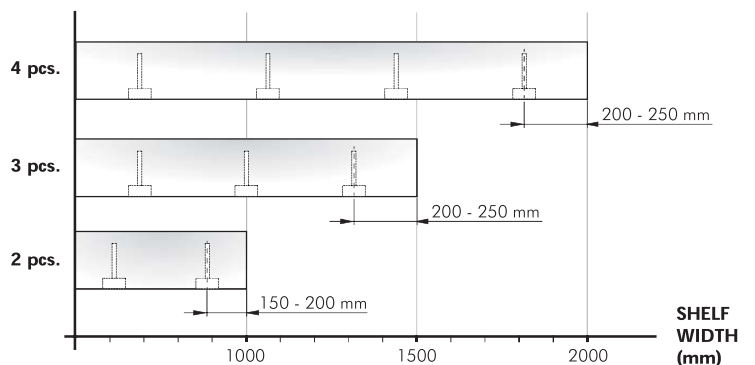


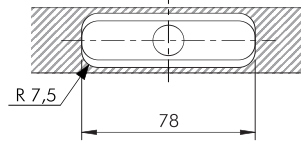
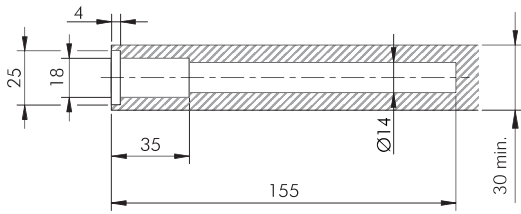
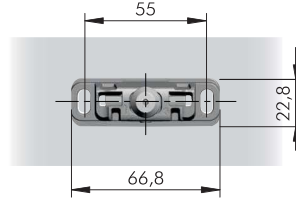
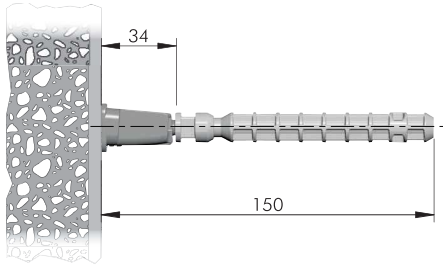
### CAPACITY LOADING CHART

(The figures refer to 2 shelf supports)



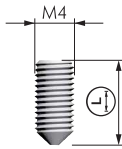
### RECOMMENDED NUMBER OF TRIADE PRO PER SHELF



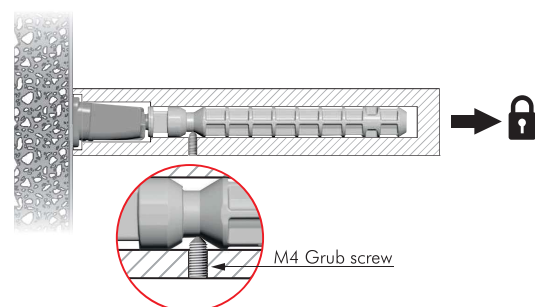
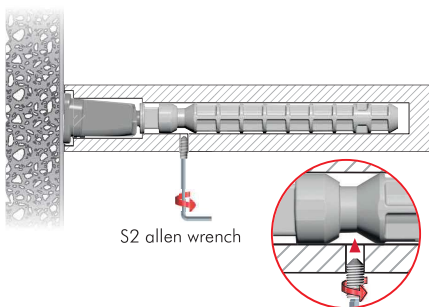
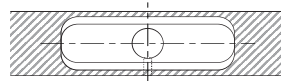
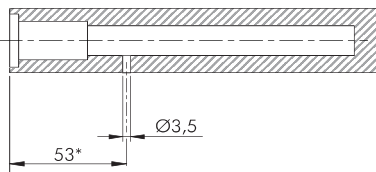


= PZ2      = open ended wrench 10 mm  
        = 50 pcs.  
 123        
**1623002000**

## OPTIONAL DRILLING FOR SECURITY LOCKING

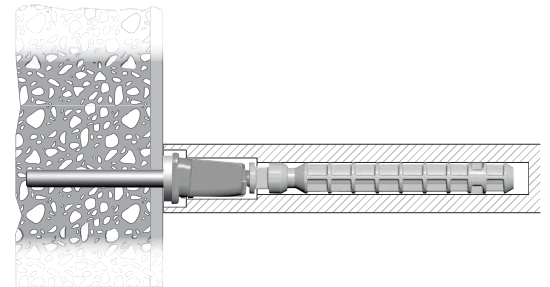
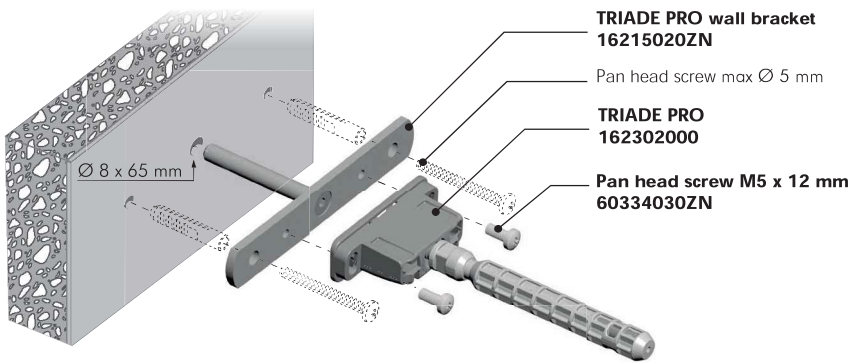
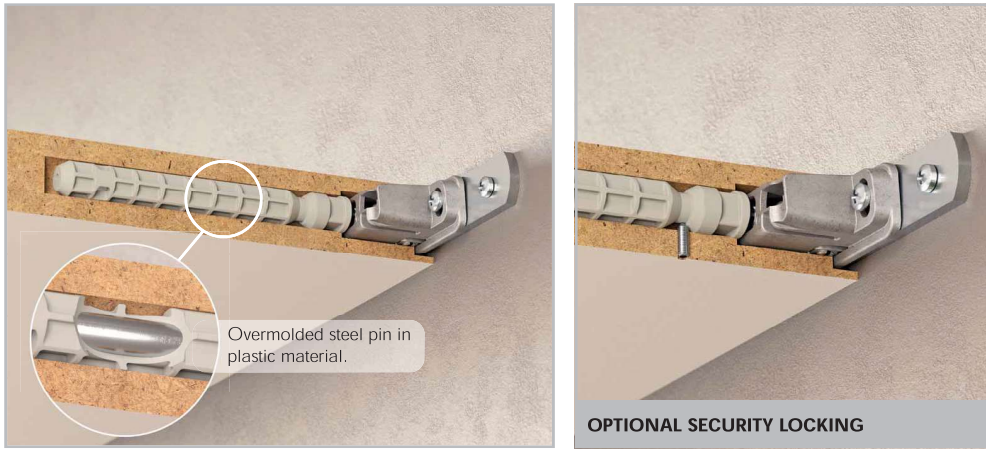


= S2      = 100 pcs.  
             
**21105180ZN**      10      30  
**21105220ZN**      16      40



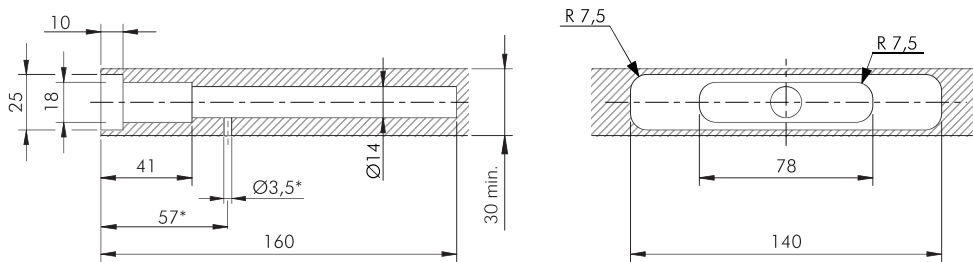


## TRIADE PRO AND BRACKET

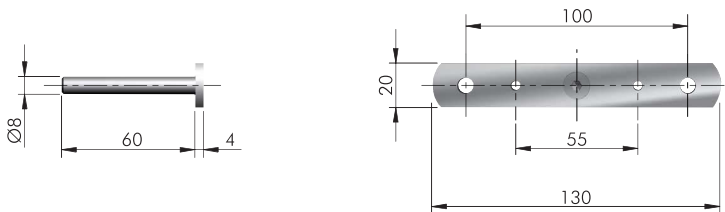


The wall bracket guarantees a more stable fixing to the wall.

It is the responsibility of the customer: to ensure the wall is of a suitable quality to hold the shelf fixing in place and to use the proper hardware fittings according to the construction of the wall. For more specific information, please refer to the WARNINGS section at the end of the catalogue.



\* Optional drilling for security locking with M4 grub screw placed underneath in alignment with the cavity. For details refer to Triade Pro section.



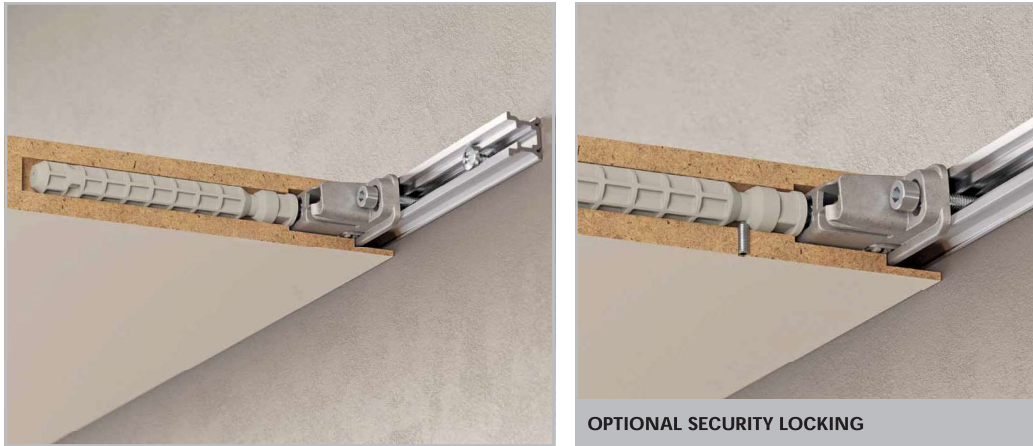
## FIXING ACCESSORY



ST	= 100 pcs.
<b>16215020ZN</b>	

= M5	= PZ2	
ST	= 7000 pcs.	
<b>60334030ZN</b>		

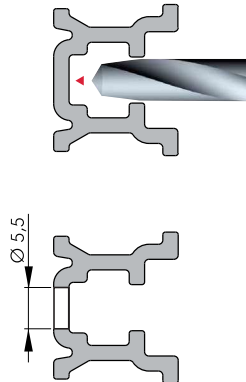
## TRIADE PRO AND TRIADE PRO MINI ALUMINIUM PROFILES



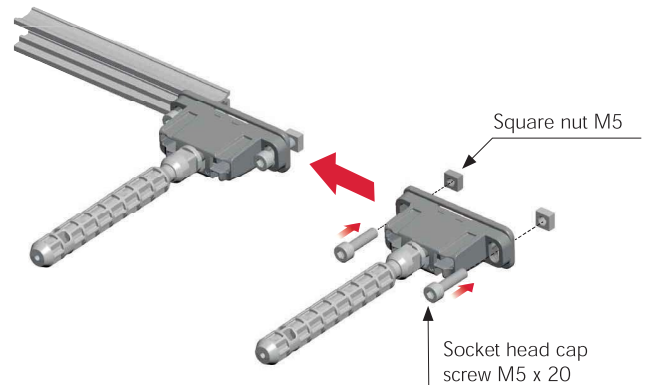
### ALUMINIUM PROFILE DRILLING



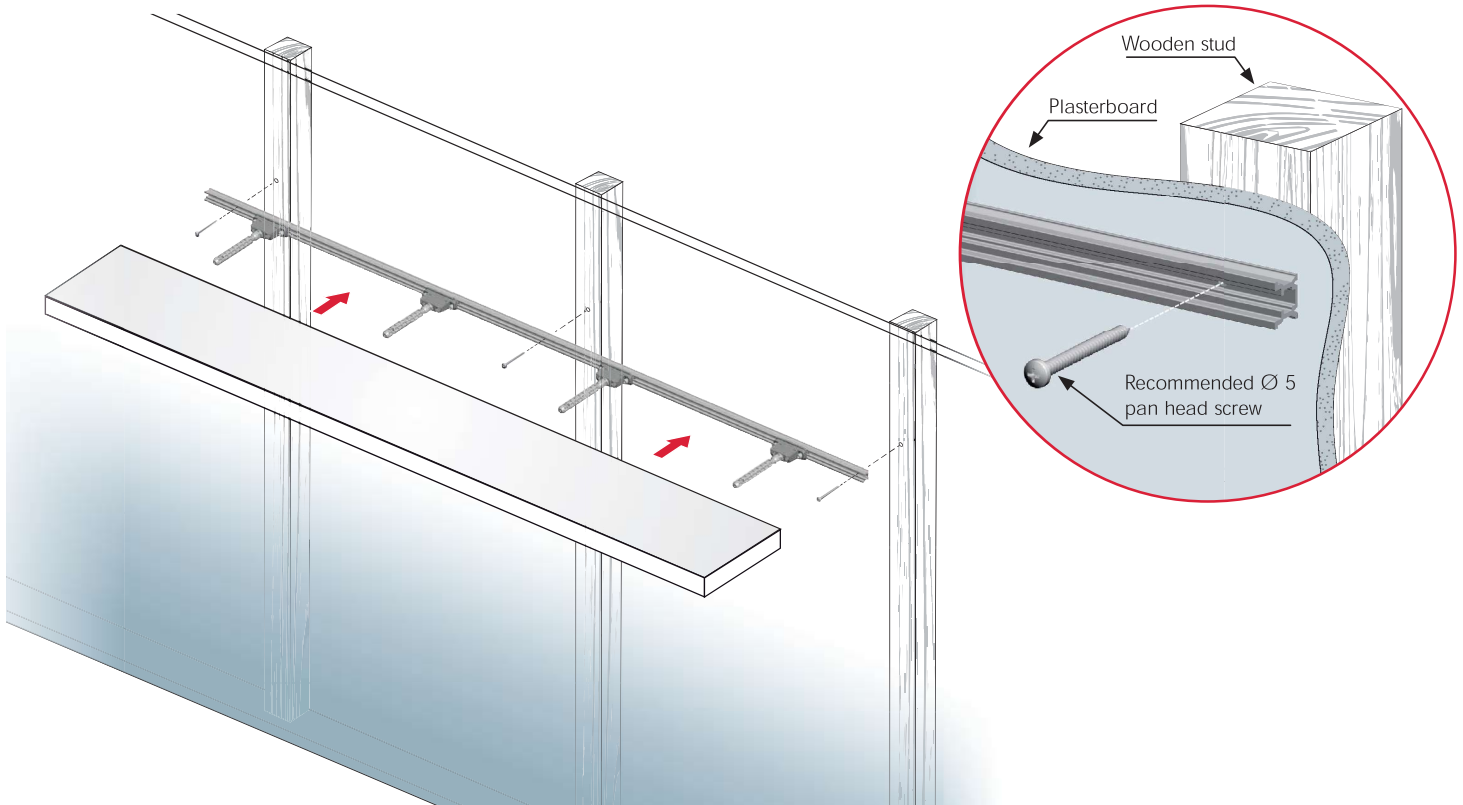
### DRILLING DETAILS



### TRIADE PRO INSERTION INTO THE ALUMINIUM PROFILE

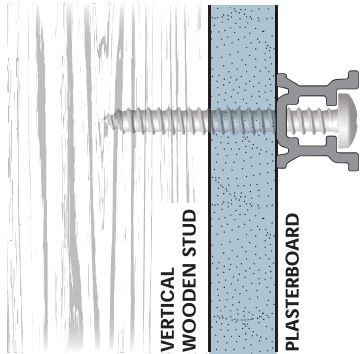


### INSTALLATION ON THE WALL AND SHELF INSERTING

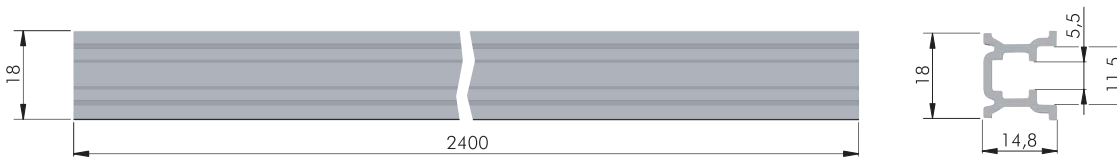




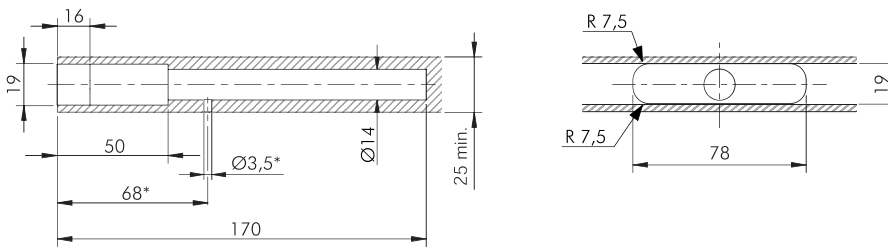
## TRIADE PRO MINI AND TRIADE PRO ALUMINIUM PROFILE



AL	= 24 pcs.
<b>690240000</b>	
Further profile lengths available on request.	

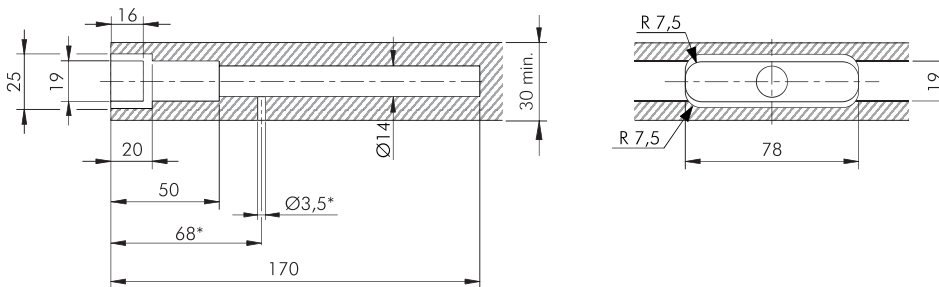


### DRILLING PLAN FOR THE APPLICATION WITH TRIADE PRO MINI



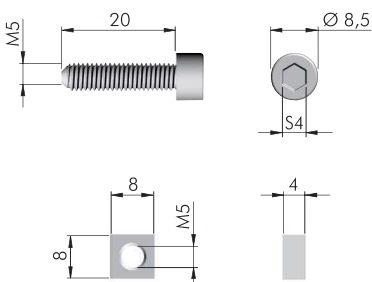
\* Optional drilling for security locking with M4 grub screw placed underneath in alignment with the cavity. For details refer to Triade Pro Mini section.

### DRILLING PLAN FOR THE APPLICATION WITH TRIADE PRO



\* Optional drilling for security locking with M4 grub screw placed underneath in alignment with the cavity. For details refer to Triade Pro section.

## ACCESSORY TO FIX ALL TRIADE PRO VERSIONS TO ALU PROFILES



ST	= on request
<b>C010001328</b>	

NOTE: Set of 4 x Square nuts and 4 x Socket-head cap screws.