

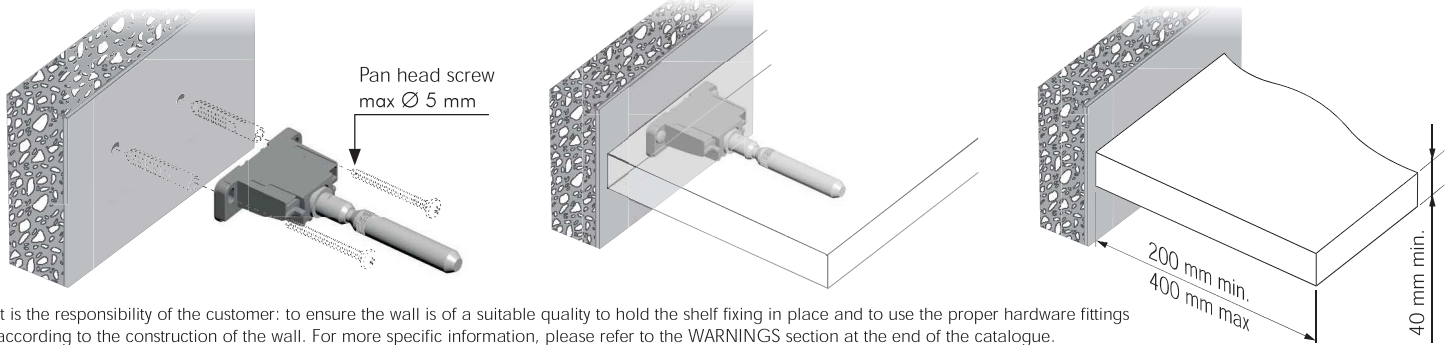
TRIADE PRO MAXI



40 mm min.

30 kg per pair for shelf 400 mm deep

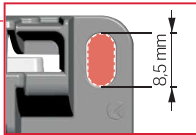
SPECIFICATION



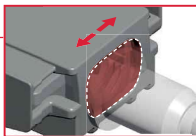
It is the responsibility of the customer: to ensure the wall is of a suitable quality to hold the shelf fixing in place and to use the proper hardware fittings according to the construction of the wall. For more specific information, please refer to the WARNINGS section at the end of the catalogue.

ADJUSTMENT

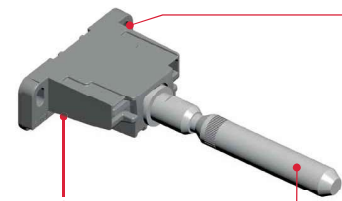
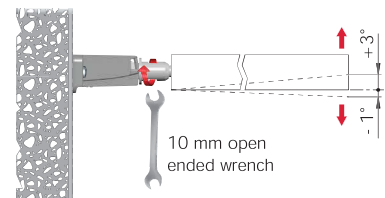
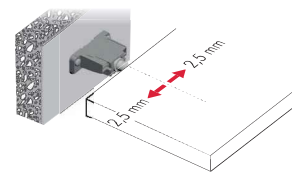
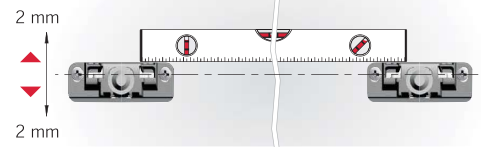
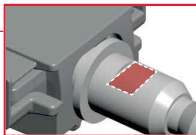
BRACKET ALIGNMENT



LATERAL ADJUSTMENT



INCLINATION ADJUSTMENT



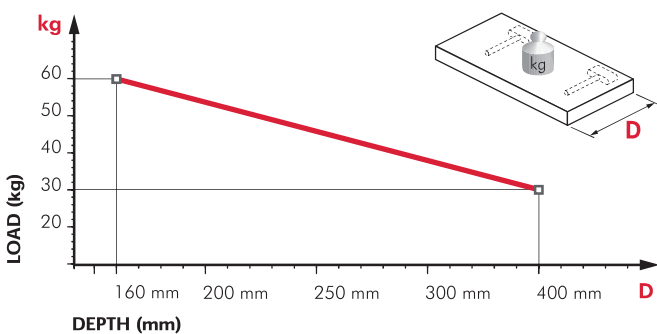
VERY IMPORTANT



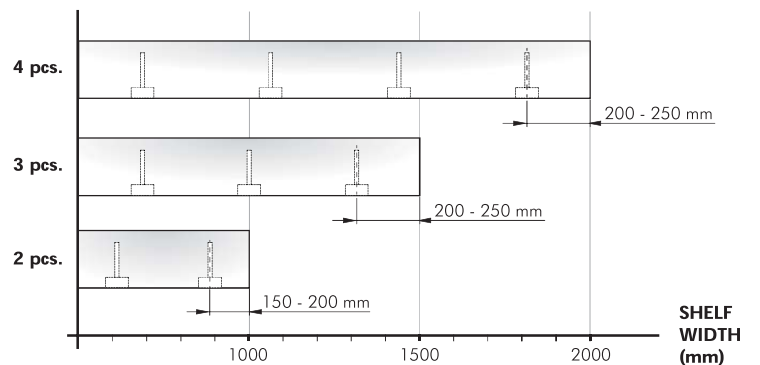
Screw to lock when adjustments are finished.

CAPACITY LOADING CHART

(The figures refer to 2 shelf supports)



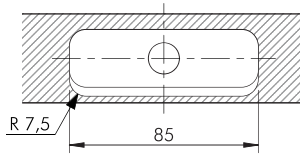
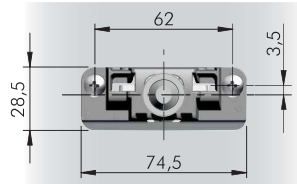
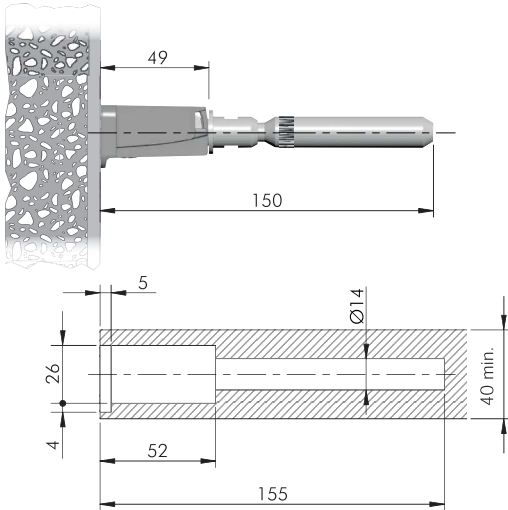
RECOMMENDED NUMBER OF TRIADE PRO MAXI PER SHELF





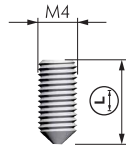
VERY IMPORTANT

Centre of the hole is shifted 3,5 mm upwards. Please keep in mind when levelling the shelf.

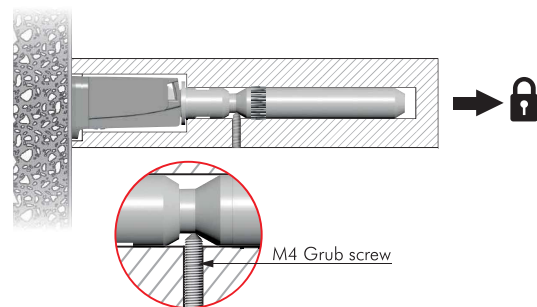
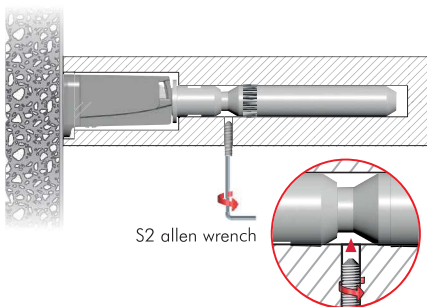
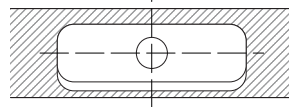
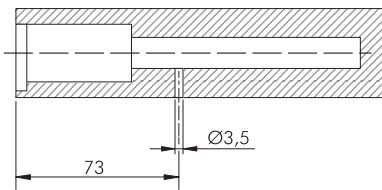


	= PZ2		= open ended wrench 12 mm
	ZA		ST
	123		= 50 pcs.
P210524100			

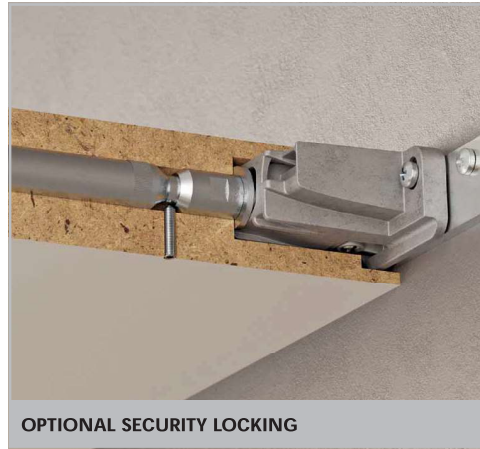
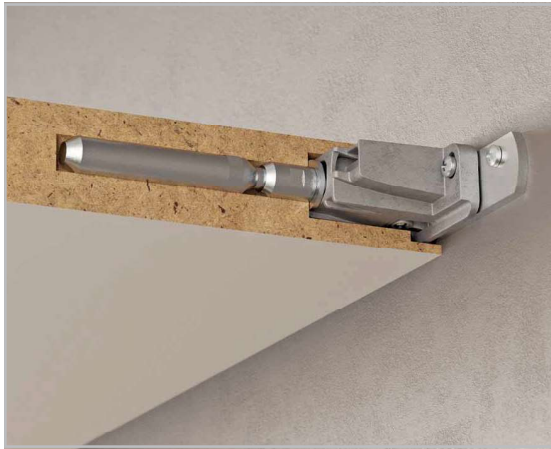
OPTIONAL DRILLING FOR SECURITY LOCKING



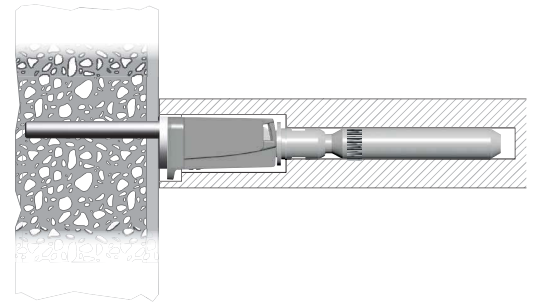
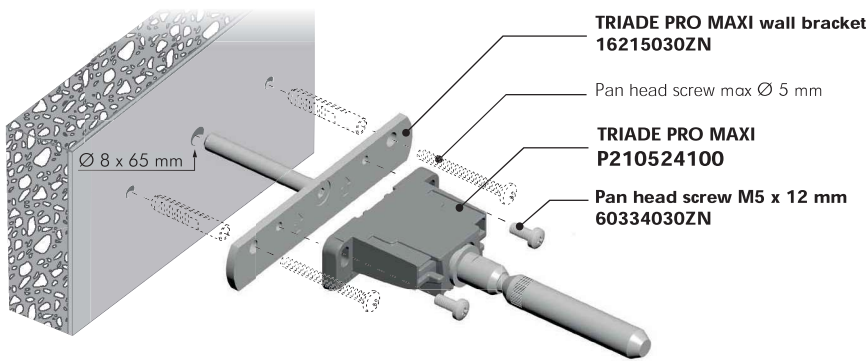
	= S2		= 100 pcs.
	ST		L
	123		L
21105220ZN		16	40
21105060ZN		20	50



TRIADE PRO MAXI AND BRACKET

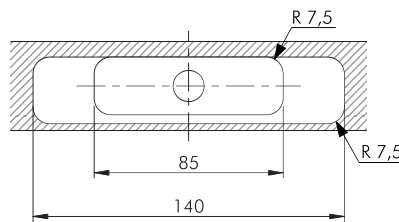
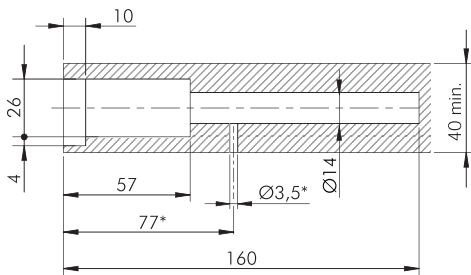


OPTIONAL SECURITY LOCKING

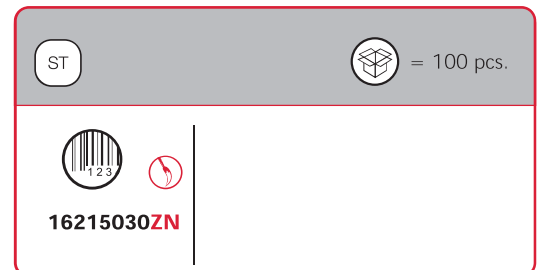
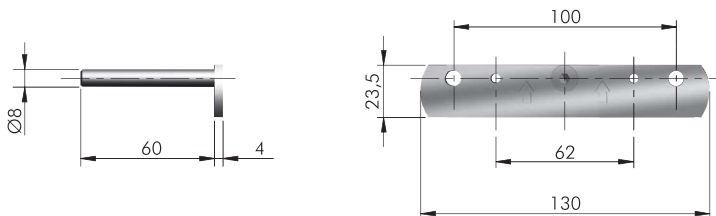


The wall bracket guarantees a more stable fixing to the wall.

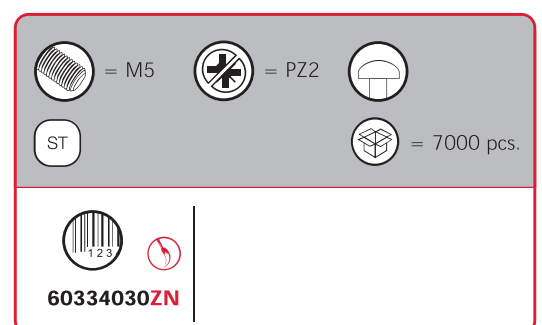
It is the responsibility of the customer: to ensure the wall is of a suitable quality to hold the shelf fixing in place and to use the proper hardware fittings according to the construction of the wall. For more specific information, please refer to the WARNINGS section at the end of the catalogue.



* Optional drilling for security locking with M4 grub screw placed underneath in alignment with the cavity. For details refer to Triade Pro Maxi section.



FIXING ACCESSORY



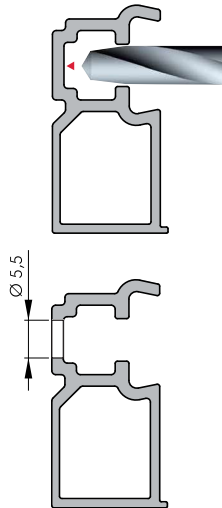
TRIADE PRO MAXI AND XXL ALUMINIUM PROFILES



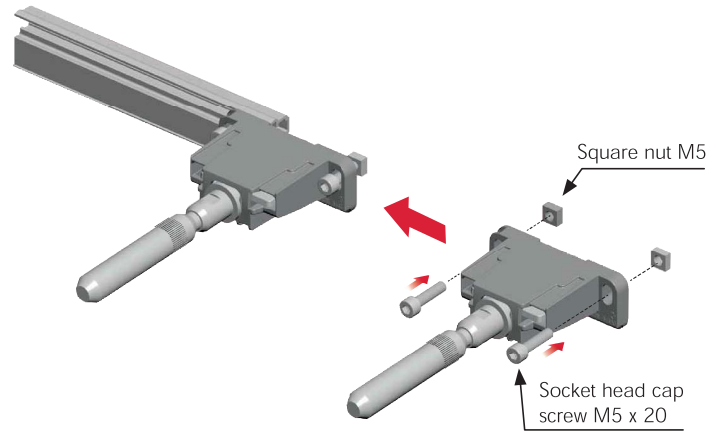
ALUMINIUM PROFILE DRILLING



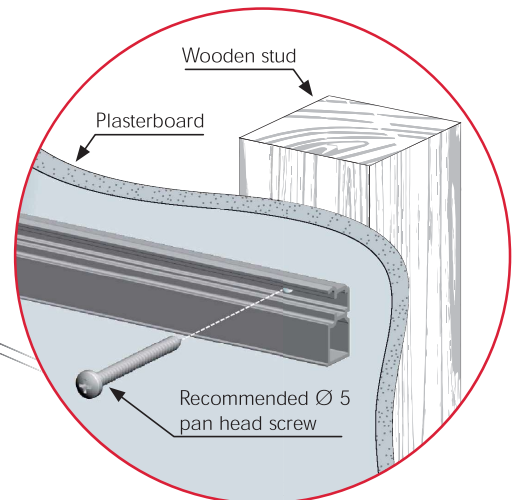
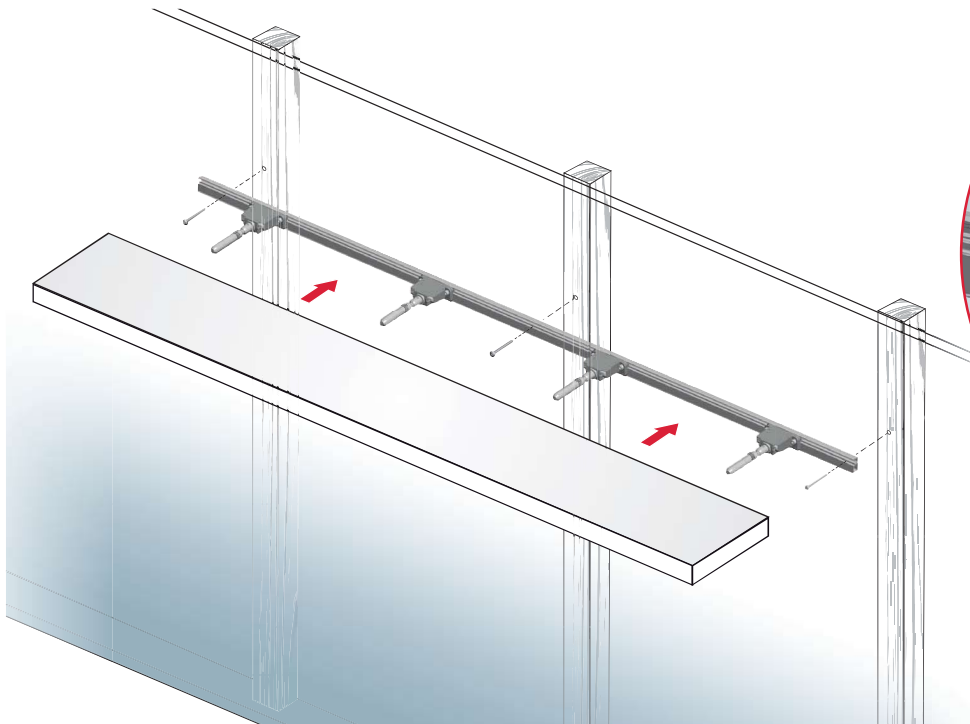
DRILLING DETAILS



TRIADE INSERTION INTO THE ALUMINIUM PROFILE

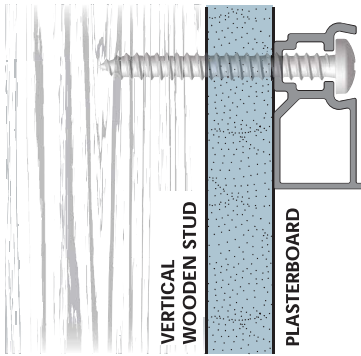


INSTALLATION ON THE WALL AND SHELF INSERTING





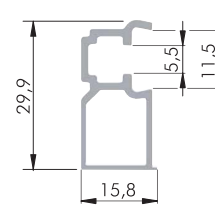
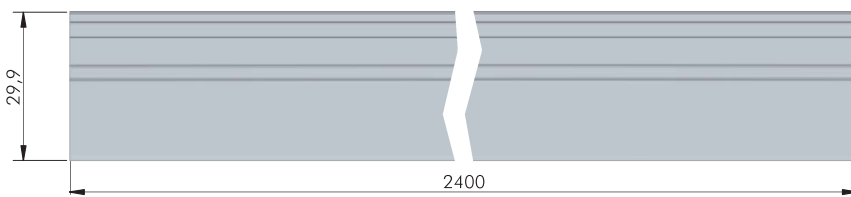
TRIADE PRO MAXI AND TRIADE PRO XXL ALUMINIUM PROFILE



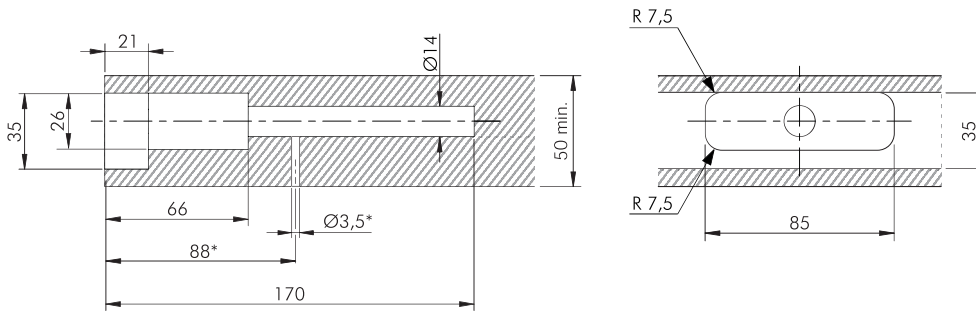
AL = 12 pcs.

691240000

Further profile lengths available on request.

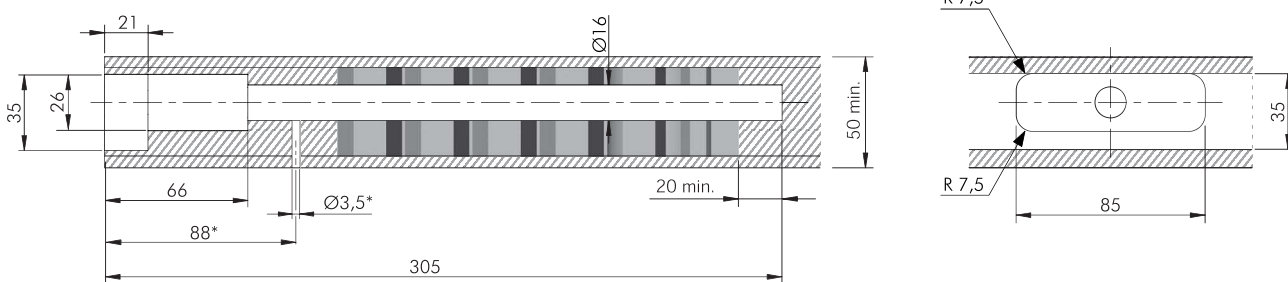


DRILLING PLAN FOR THE APPLICATION WITH TRIADE PRO MAXI



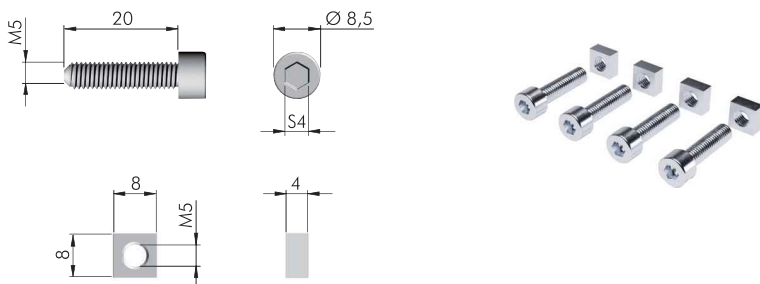
* Optional drilling for security locking with M4 grub screw placed underneath in alignment with the cavity. For details refer to Triade Pro Maxi section.

DRILLING PLAN FOR THE APPLICATION WITH TRIADE PRO XXL



* Optional drilling for security locking with M4 grub screw placed underneath in alignment with the cavity. For details refer to Triade Pro XXL section.

ACCESSORY TO FIX ALL TRIADE PRO VERSIONS TO ALU PROFILES



ST = on request

C010001328

NOTE: Set of 4 x Square nuts and 4 x Socket-head cap screws.