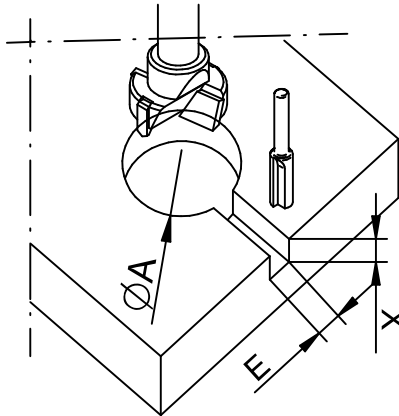


# ZIPBOLT 85, 120, 170

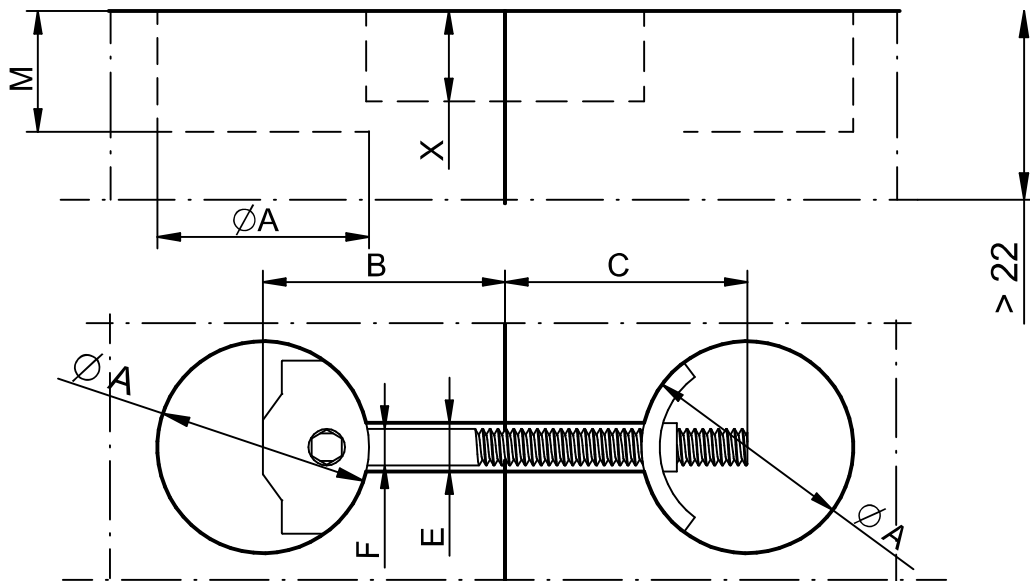
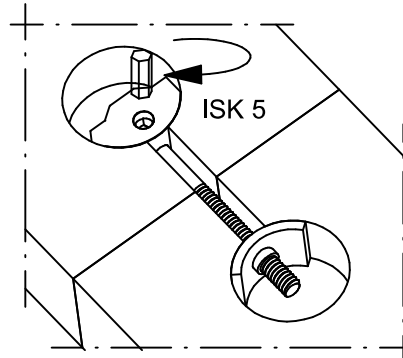
Plattenverbinder / Board - Connector  
 Assembleur panneau / Conector para encimeras

1. DE: Bohren und Nuten  
 GB: Drill and groove  
 FR: Percer et rainurer  
 ES: Perforar y hacer ranuras

DE: Arbeitsplatte  
 GB: Worktop  
 FR: Plan de travail  
 ES: Encimeras



2. DE: Verbinder einbauen und spannen  
 GB: Fitting connector and tighten  
 FR: Insérer l'assembleur et serrer  
 ES: Montar conector y apretar



|        | ZIPBOLT 85<br>(Z358) | ZIPBOLT 120<br>(Z366) | ZIPBOLT 170<br>(Z367) |
|--------|----------------------|-----------------------|-----------------------|
|        |                      |                       |                       |
|        | [mm]                 | [mm]                  | [mm]                  |
| ØA     | 35                   | 35                    | 35                    |
| B      | 33-44                | 50-62                 | 74-87                 |
| C      | 33-44                | 50-62                 | 74-87                 |
| E      | 8                    | 8                     | 8                     |
| ØF     | 6                    | 6                     | 6                     |
| M      | 20                   | 20                    | 20                    |
| X      | 15                   | 15                    | 15                    |
| Driver | ISK5                 | ISK5                  | ISK5                  |