
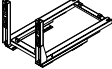

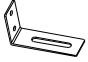

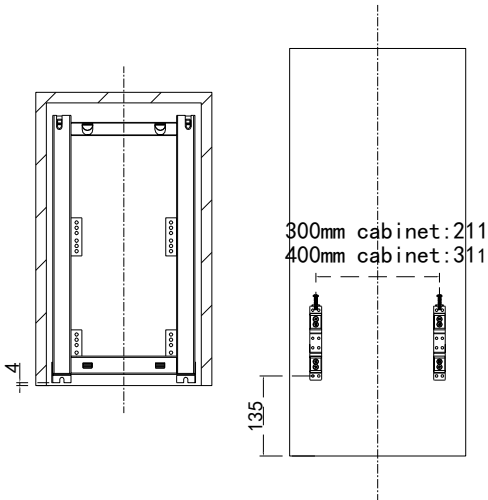


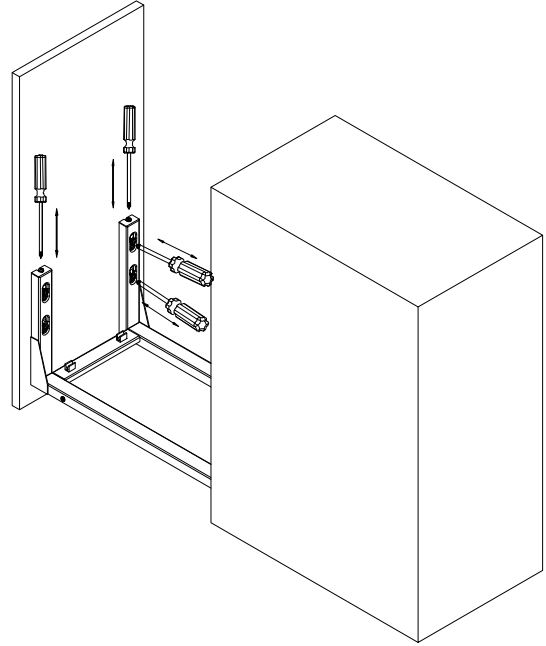
Photo	Description	QTY(pcs)	Photo	Description	QTY(pcs)	Photo	Description	QTY(pcs)
	M4X16	16		Base	1		M5X6	2
	Connector	2		Basket	1			

1. Fix with screw as shown.

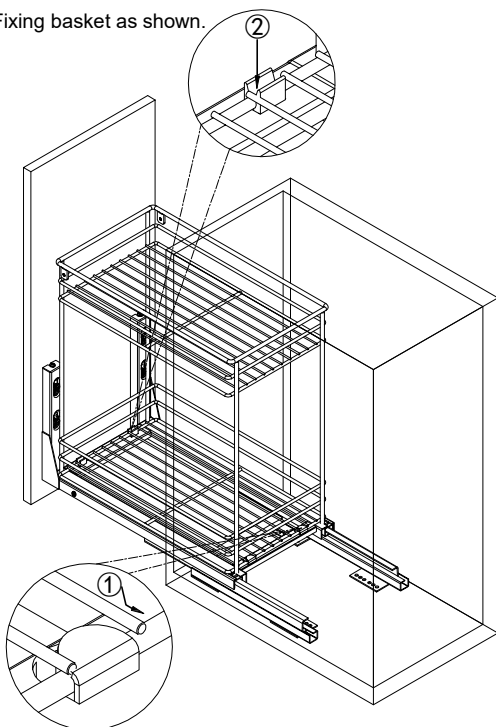
Intalling basket base in the middle of the cabinet



2. Adjust panel's position and fix it with screws as shown.



3. Fixing basket as shown.



4. Fix the slice as show. Be sure slide moving smoothly.

